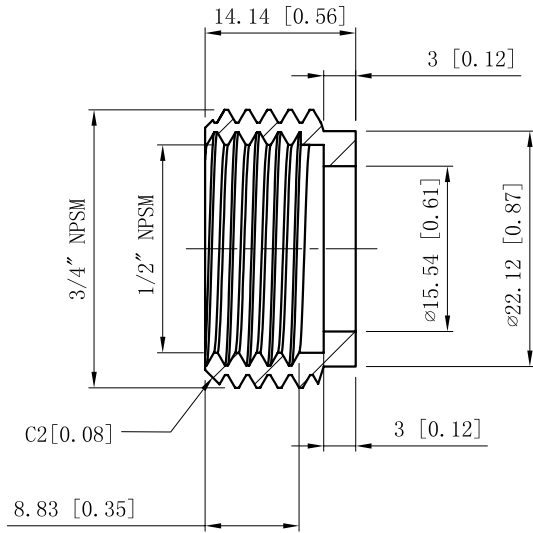
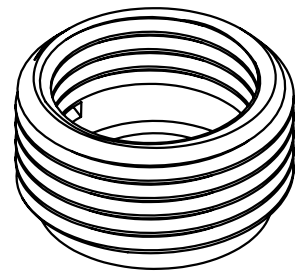
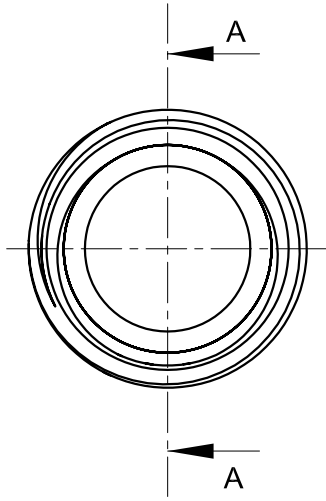


SIDES	BOTTOM
Material:Steel-(C1008-1018) Zinc Plated	



VIEW A-A



DESCRIPTION
TRADE REFERENCE TERMS

STANDARD PACKING
50 PCS

This data sheet is for reference only .GARVIN INDUSTRIES reserves the right to make changes to the design without prior notice.

GARVIN INDUSTRIES		
TITLE STEEL REDUCING BUSHING		
SIZE A4	DWG NO. RB7550	REV
DATA SHEET		