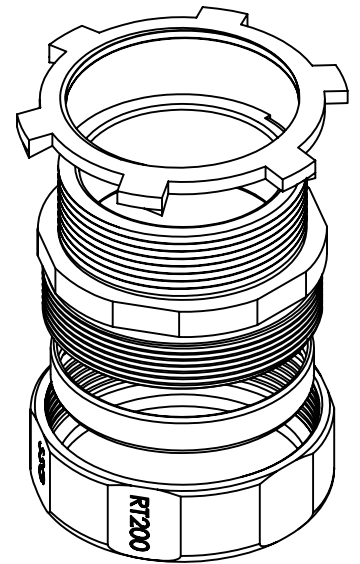
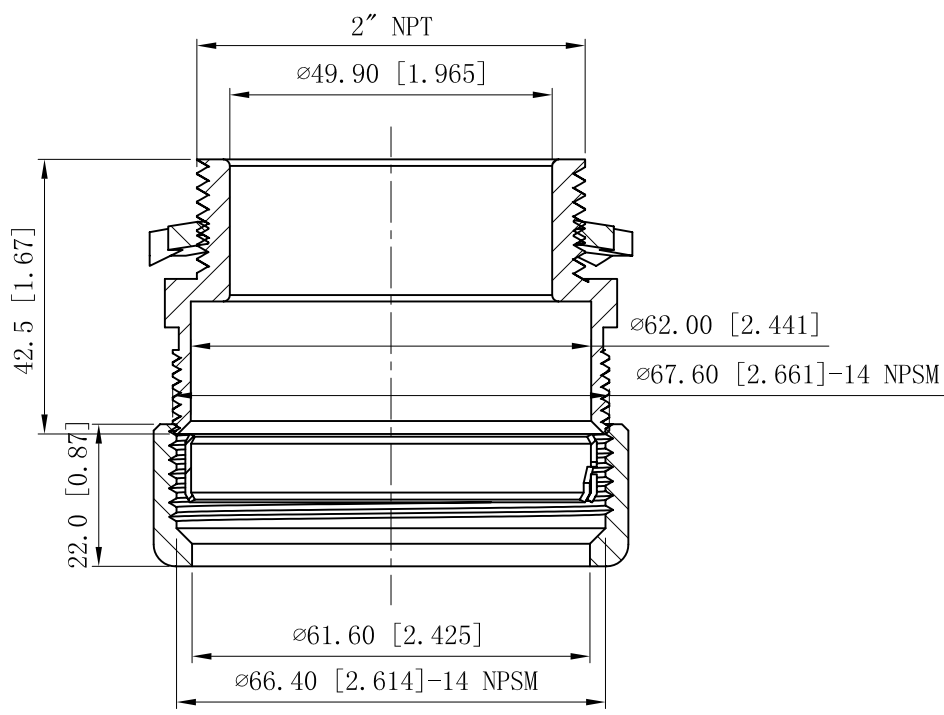
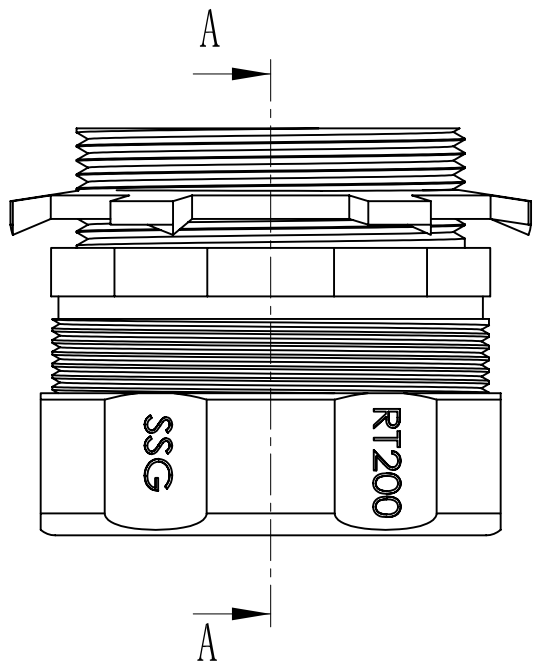


SIDES	BOTTOM
Material: C1018 Seamless steel tube	



CUTAWAY VIEW A-A

This data sheet is for reference only .GARVIN INDUSTRIES reserves the right to make changes to the design without prior notice.

DESCRIPTION
TRADE REFERENCE TERMS

STANDARD PACKING	<h1 style="text-align: center;">GARVIN INDUSTRIES</h1> <h2 style="text-align: center;">NO-THREAD CONNECTOR & COUPLINGS</h2>		
5 PCS			
SIZE	DWG NO.	REV	
A4	RT200	A	
DATA SHEET			