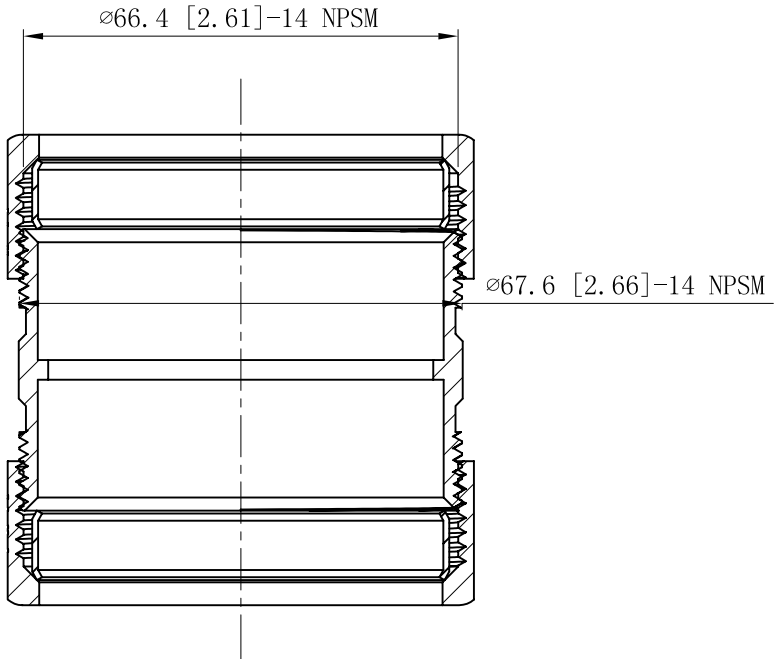
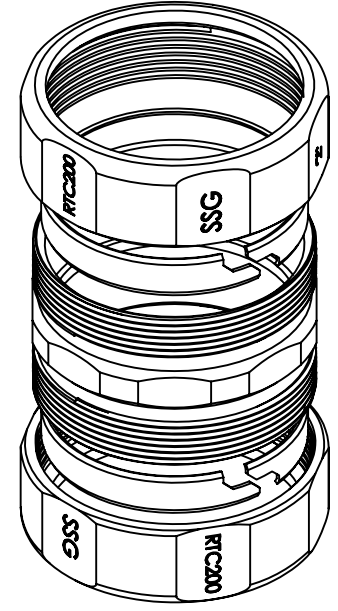
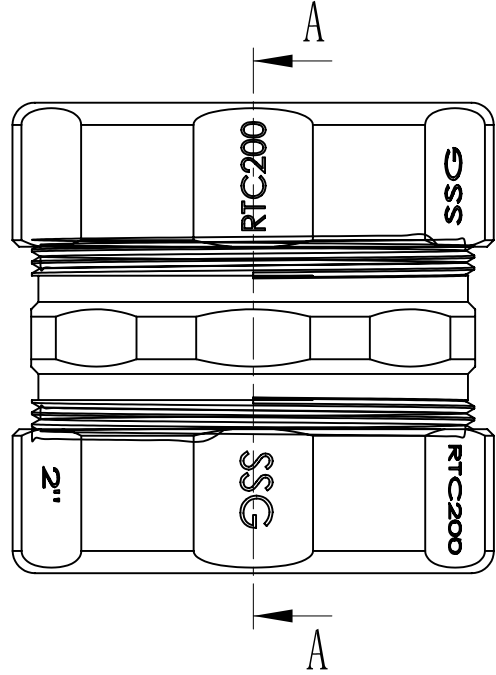


| | |
|------------------------------------|--------|
| SIDES | BOTTOM |
| | |
| | |
| | |
| Material:C1018 Seamless steel tube | |



CUTAWAY VIEW A-A



| |
|-----------------------|
| DESCRIPTION |
| |
| |
| TRADE REFERENCE TERMS |
| |

This data sheet is for reference only .GARVIN INDUSTRIES reserves the right to make changes to the design without prior notice.

| | | | |
|-------------------------------------|---|-----|--|
| STANDARD PACKING | <h1 style="text-align: center;">GARVIN INDUSTRIES</h1> <h2 style="text-align: center;">NO-THREAD CONNECTOR & COUPLINGS</h2> | | |
| 10 PCS | | | |
| SIZE | DWG NO. | REV | |
| A4 | | | |
| <h3>RTC200</h3> <h3>DATA SHEET</h3> | | | |