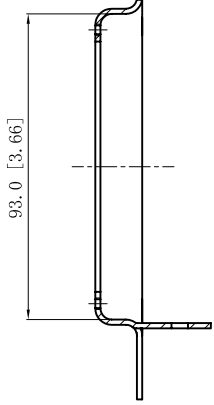
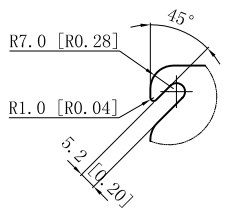
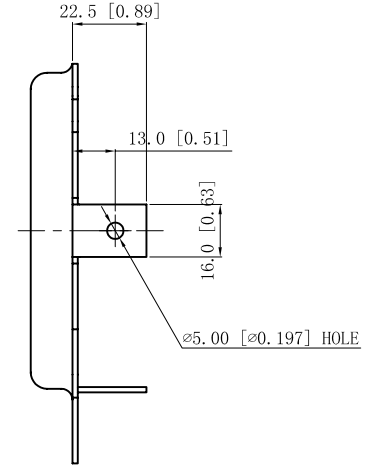
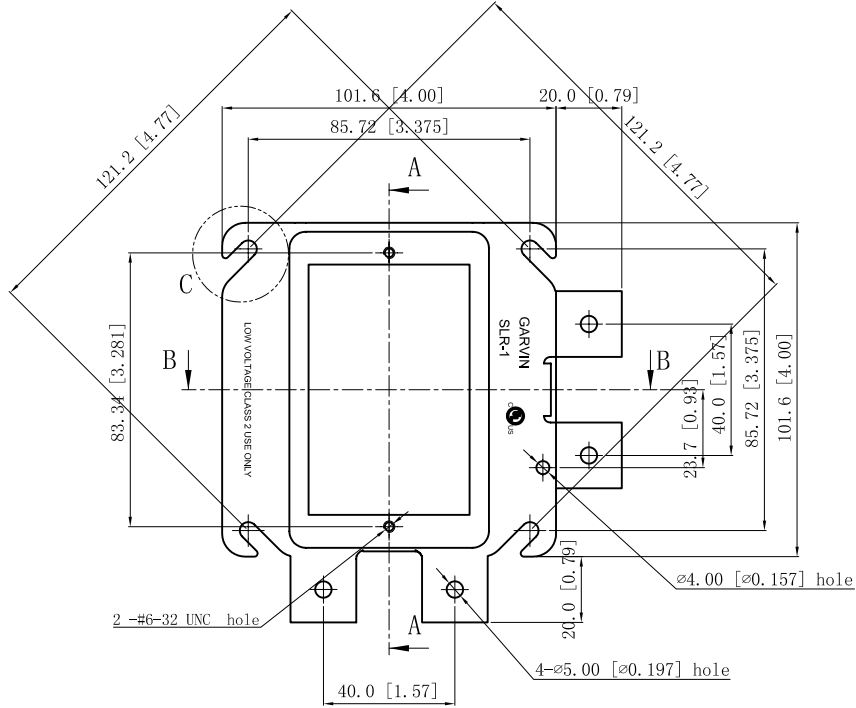


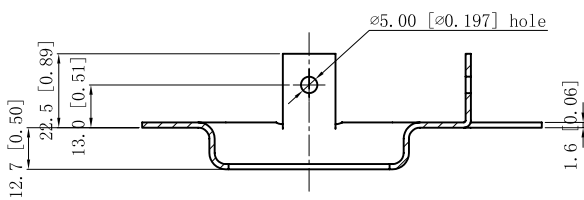
SIDES	BOTTOM
Material: Steel-0.0625"-(G60 or C.R.S) Galvanized	



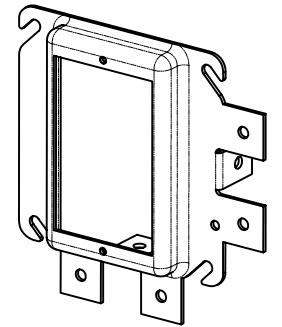
CUTAWAY VIEW A-A



VIEW C



CUTAWAY VIEW B-B



This data sheet is for reference only .GARVIN INDUSTRIES reserves the right to make changes to the design without prior notice.

DESCRIPTION
TRADE REFERENCE TERMS

STANDARD PACKING
50 PCS

TITLE		GARVIN INDUSTRIES	
4" SQUARE SELF-LEVELING DEVICE RINGS			
SIZE	DWG NO.		REV
A4	SLR-150		C
DATA SHEET			