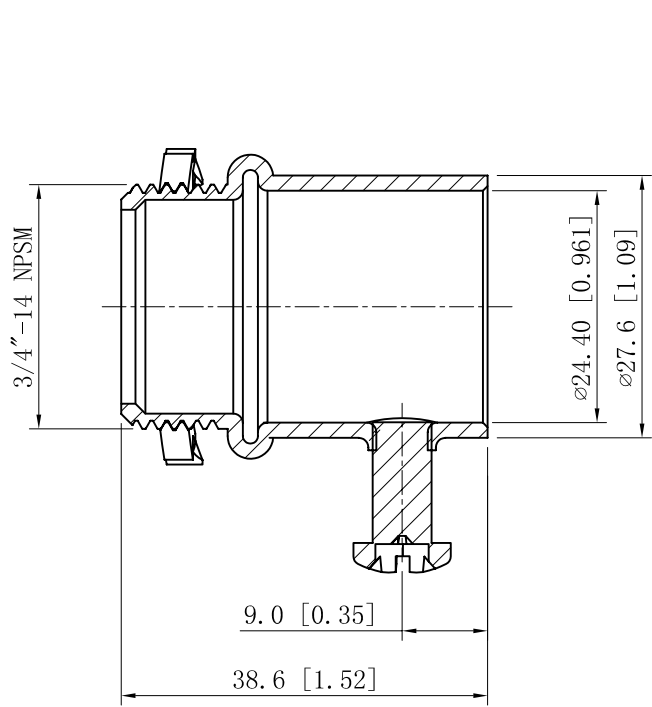
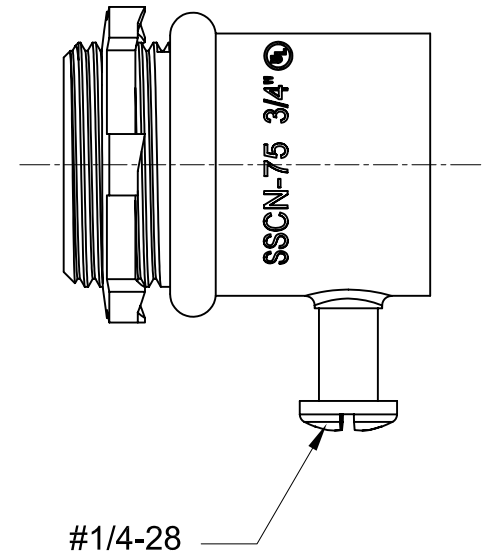
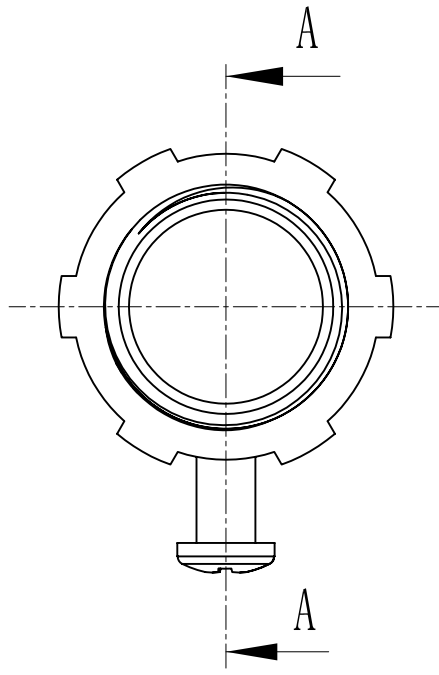


SIDES	BOTTOM
1pcs #1/4-28×3/8 Screws Installed	
Material:Steel-Welding tube, zinc plated	



CUTAWAY VIEW A-A



DESCRIPTION
TRADE REFERENCE TERMS

This data sheet is for reference only .GARVIN INDUSTRIES reserves the right to make changes to the design without prior notice.

STANDARD PACKING
50 PCS

GARVIN INDUSTRIES		
TITLE STEEL EMT SET SCREW CONNECTORS		
SIZE A4	DWG NO. SSCN-75	REV
DATA SHEET		