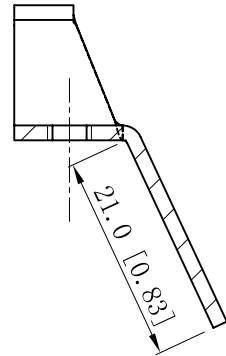
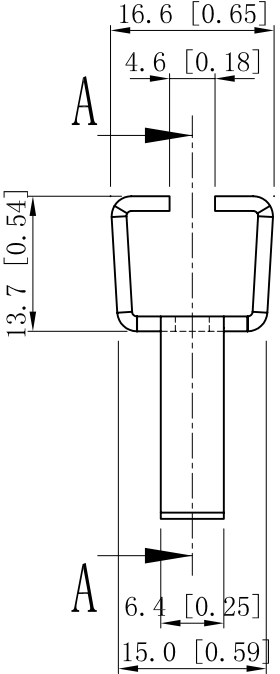
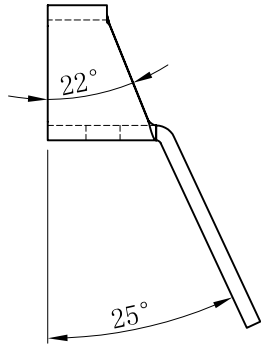
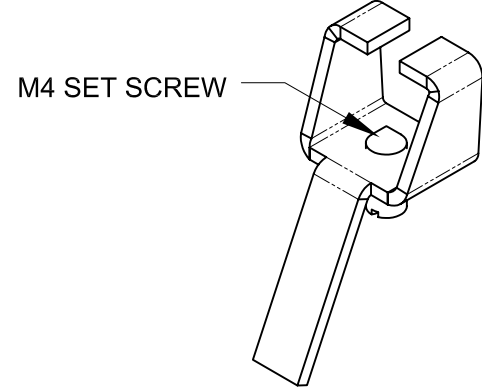
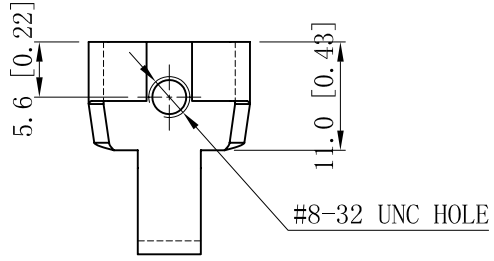


SIDES	BOTTOM
1Pcs M4×12 slotted headless cone point set screw	
Material:Steel-0.059"-C. R. S Finish:YELLOW ZINC PLATED	



CUTAWAY VIEW A-A

This data sheet is for reference only .GARVIN INDUSTRIES reserves the right to make changes to the design without prior notice.

DESCRIPTION
TRADE REFERENCE TERMS

STANDARD PACKING

GARVIN INDUSTRIES		
TITLE UNIVERSAL BREAKET LOCK		
SIZE A4	DWG NO. UBL1	REV B
DATA SHEET		