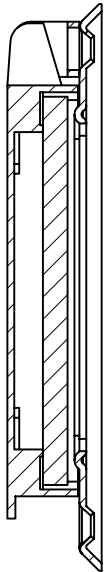
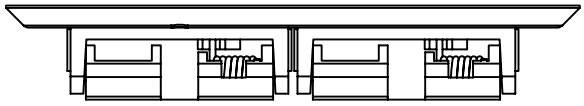
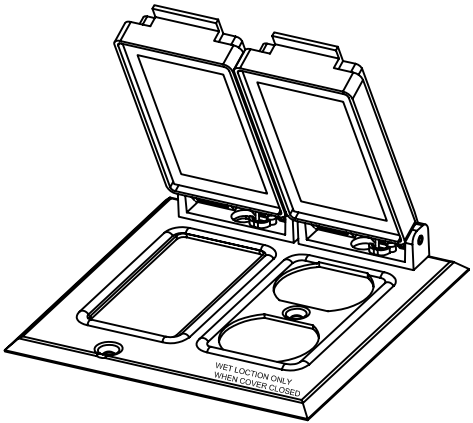
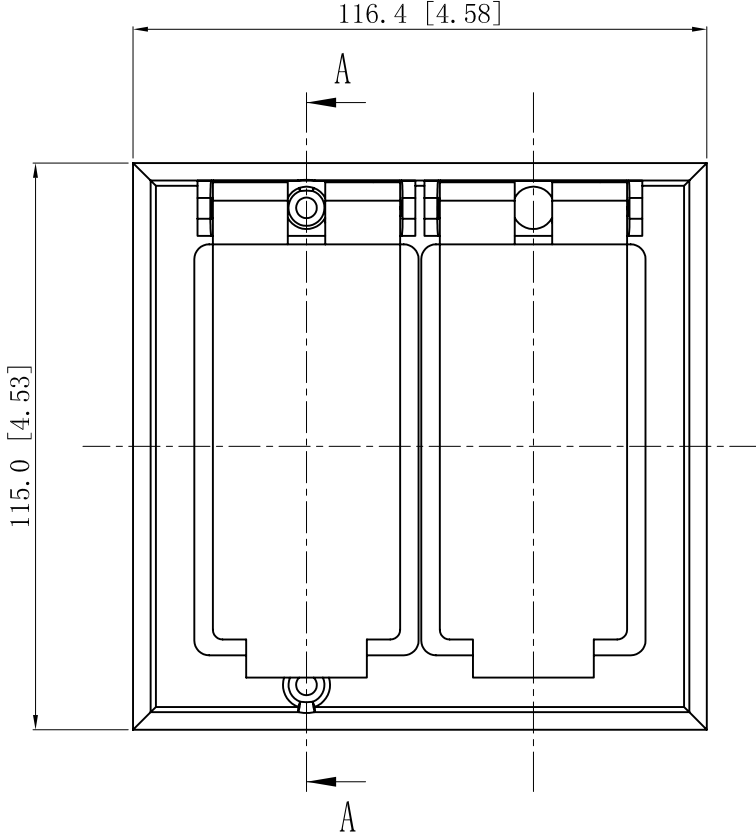


SIDES	BOTTOM
3 PCS 6-32×1/2 Screws Pack In Poly-bag Separately	
Material: ALUMINUM OR ZINC -POWDER COATING SILVER GRAY	



CUTAWAY VIEW A-A



This data sheet is for reference only .GARVIN INDUSTRIES reserves the right to make changes to the design without prior notice.

DESCRIPTION
TRADE REFERENCE TERMS

STANDARD PACKING
20 PCS

GARVIN INDUSTRIES		
TITLE 2 GANG WEATHERPROOF BOX COVER 1 GFCI & DUPLEX		
SIZE A4	DWG NO. WPCV2GGFIDUP	REV
DATA SHEET		