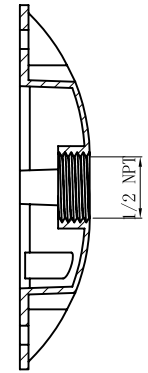
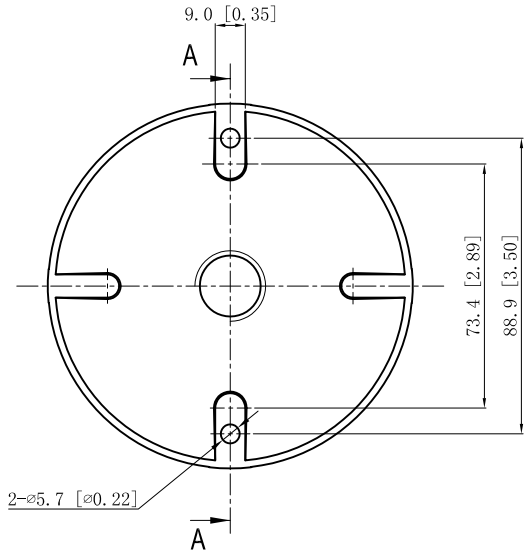
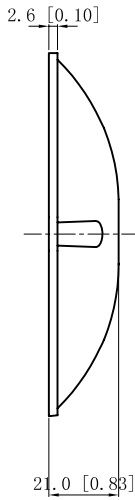
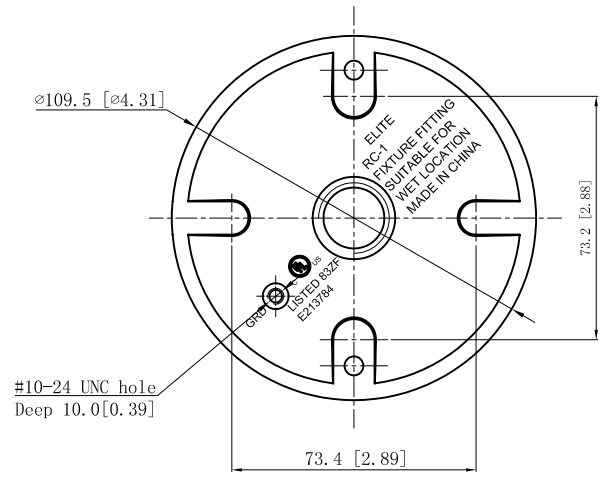
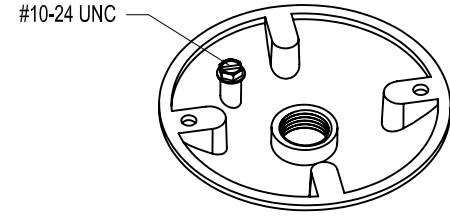


SIDES	BOTTOM
1 PCS 10-24×1/4 Screws Installed	
Material:ALUMINUM Powder Coating Gray	



CUTAWAY VIEW A-A



This data sheet is for reference only .GARVIN INDUSTRIES reserves the right to make changes to the design without prior notice.

DESCRIPTION
TRADE REFERENCE TERMS

STANDARD PACKING
20 PCS

GARVIN INDUSTRIES		
TITLE 4" ROUND WEATHERPROOF BOX COVERS		
SIZE A4	DWG NO. WPRCV501	REV
DATA SHEET		