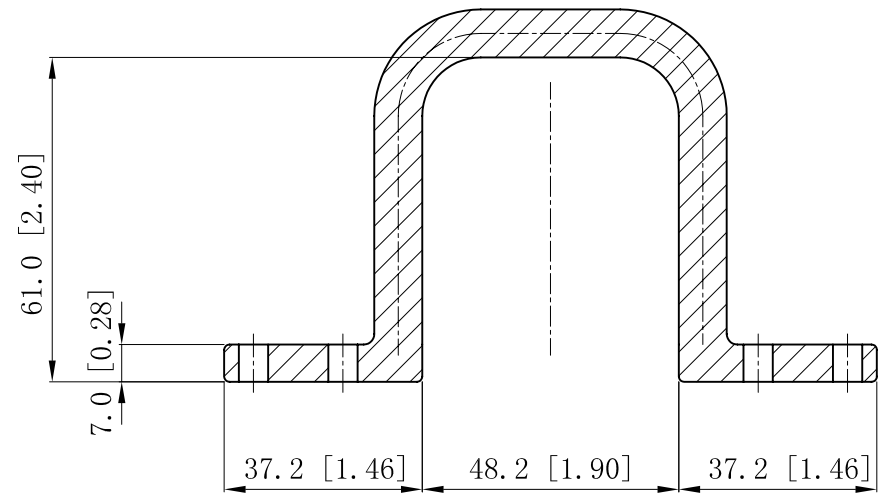
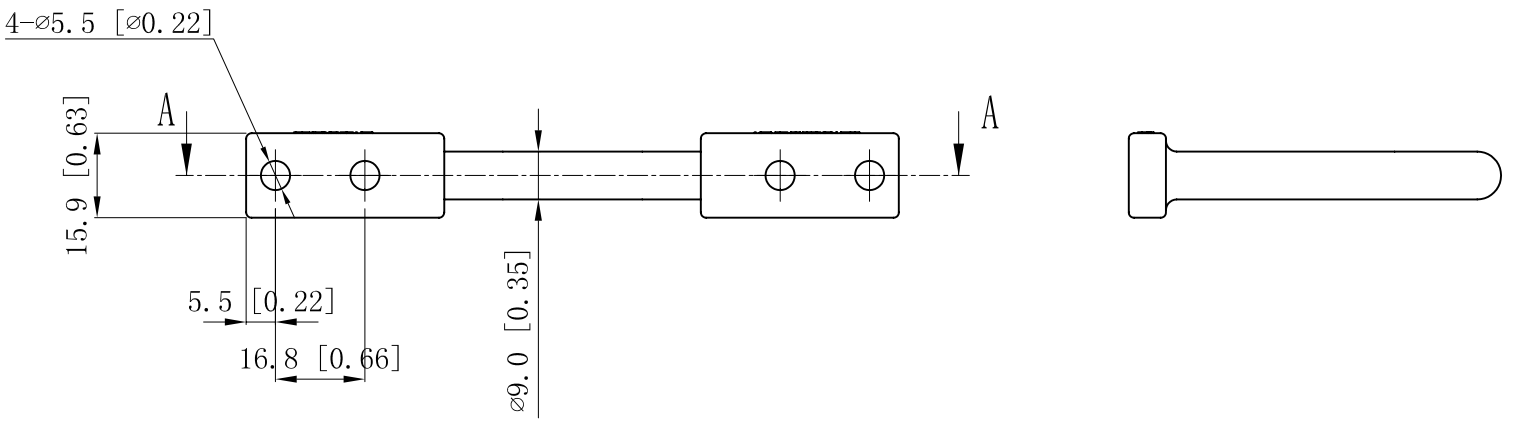
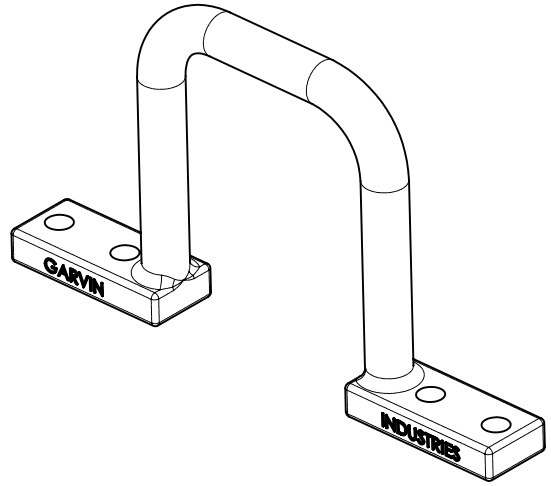


SIDES	BOTTOM
Material:AL 413.2 Cleaning	



CUTAWAY VIEW A-A



This data sheet is for reference only .GARVIN INDUSTRIES reserves the right to make changes to the design without prior notice.

DESCRIPTION
TRADE REFERENCE TERMS

STANDARD PACKING	<h1 style="text-align: center;">GARVIN INDUSTRIES</h1>		
50 PCS			
	TITLE	METAL DISTRIBUTION "D" RINGS	
	SIZE	DWG NO.	REV
	A4	DST-200	C
	DATA SHEET		