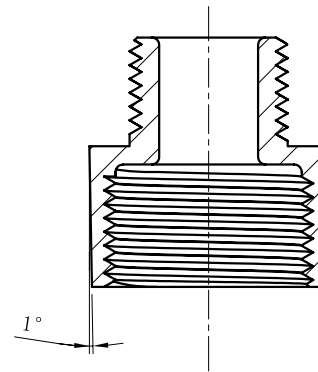
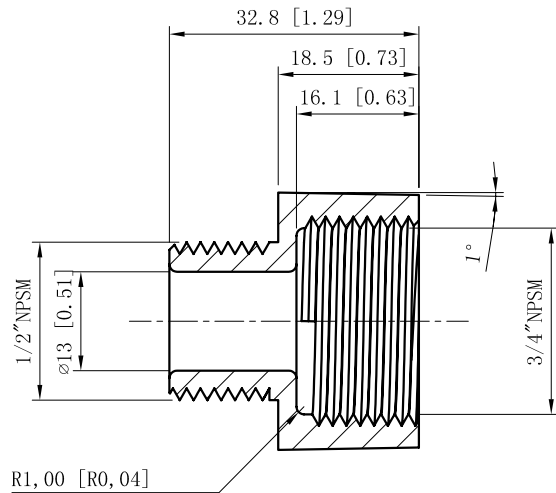
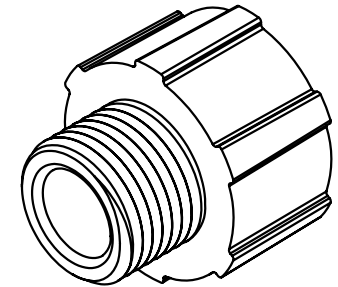


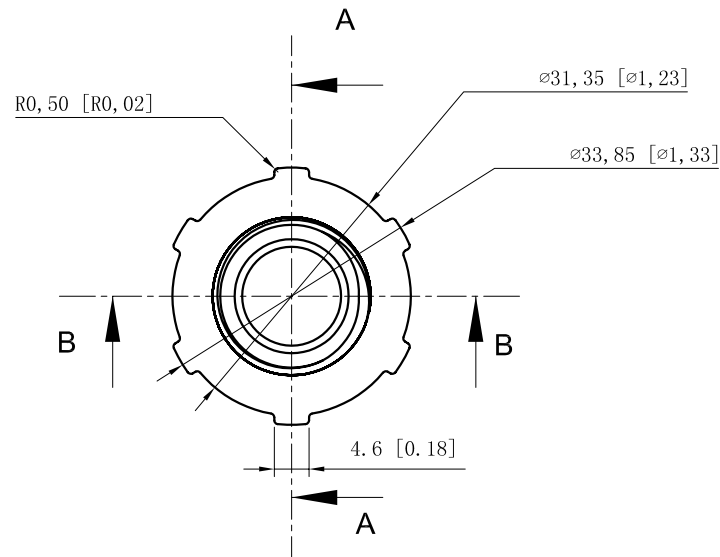
SIDES	BOTTOM
Material: Steel-Malleable Iron 32510 Galvanized	



VIEW B-B



VIEW A-A



This data sheet is for reference only .GARVIN INDUSTRIES reserves the right to make changes to the design without prior notice.

DESCRIPTION
TRADE REFERENCE TERMS

STANDARD PACKING	GARVIN INDUSTRIES		
10 PCS			
TITLE	MALE ENLARGERS		
SIZE	DWG NO.	REV	
A4	E5075		
DATA SHEET			