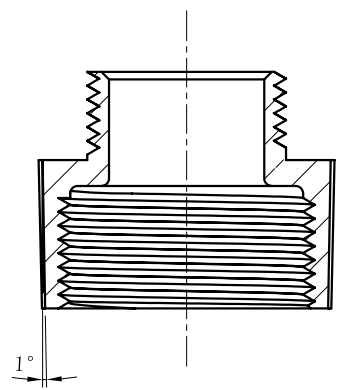
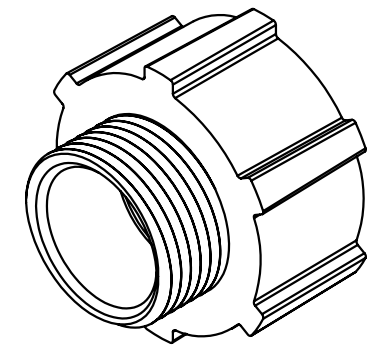
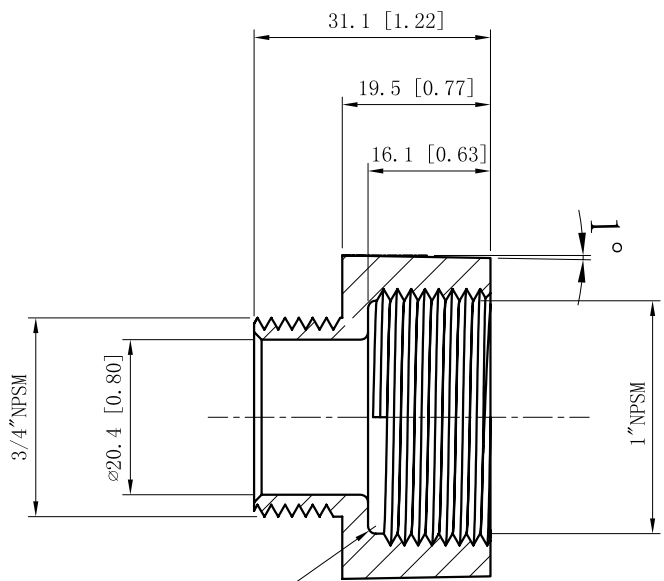


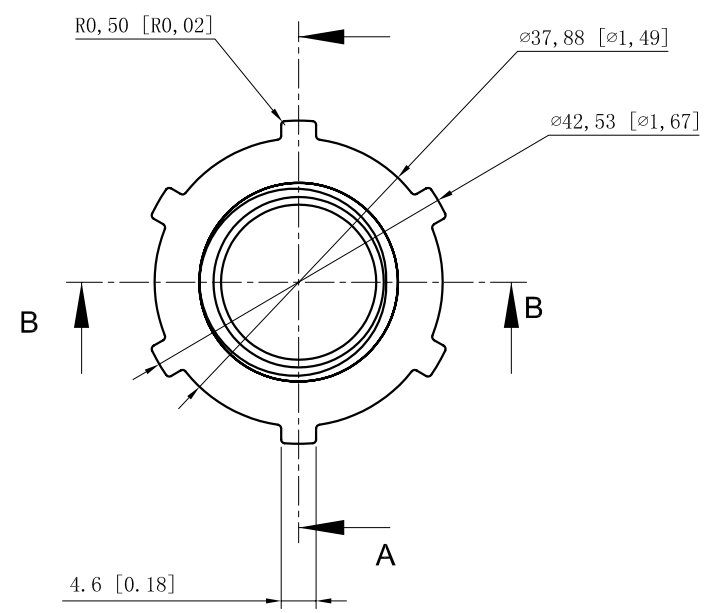
SIDES	BOTTOM
Material: Steel-Malleable Iron 32510 Zinc Plated	



VIEW B-B



VIEW A-A



This data sheet is for reference only .GARVIN INDUSTRIES reserves the right to make changes to the design without prior notice.

DESCRIPTION
TRADE REFERENCE TERMS

STANDARD PACKING
25/250 PCS

GARVIN INDUSTRIES		
TITLE MALE ENLARGERS		
SIZE A4	DWG NO. E75100	REV
DATA SHEET		