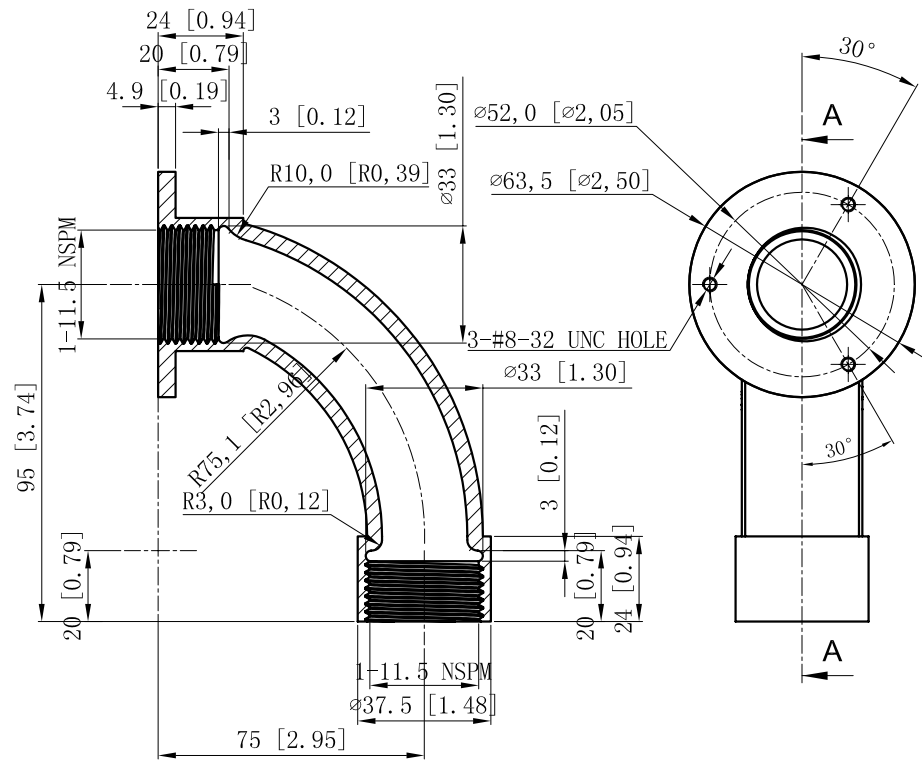
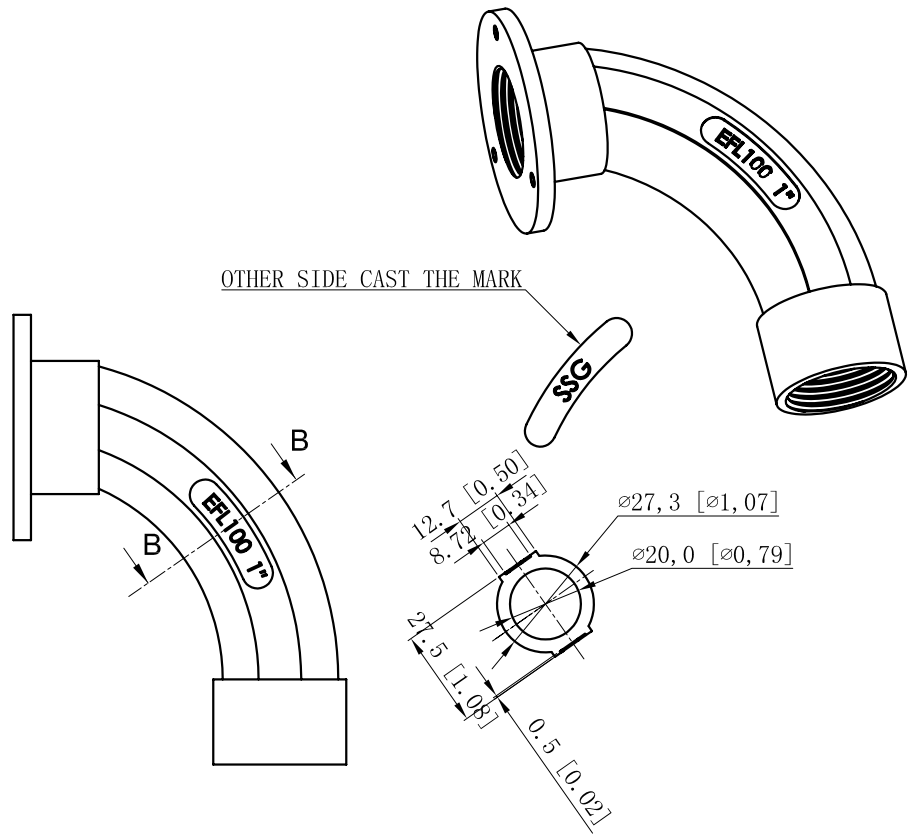


SIDES	BOTTOM
Material:Steel-ZAMAK3 Zinc Plated	



CUTAWAY VIEW A-A



CUTAWAY VIEW B-B

DESCRIPTION
TRADE REFERENCE TERMS

This data sheet is for reference only .GARVIN INDUSTRIES reserves the right to make changes to the design without prior notice.

STANDARD PACKING	<h1 style="margin: 0;">GARVIN INDUSTRIES</h1> <h2 style="margin: 0;">ELECTROFORM CONCRETE SLAB PIPE INSERTS</h2>		
100 PCS			
SIZE	DWG NO.	TITLE	REV
A4	EFL100	ELECTROFORM CONCRETE SLAB PIPE INSERTS	A
DATA SHEET			