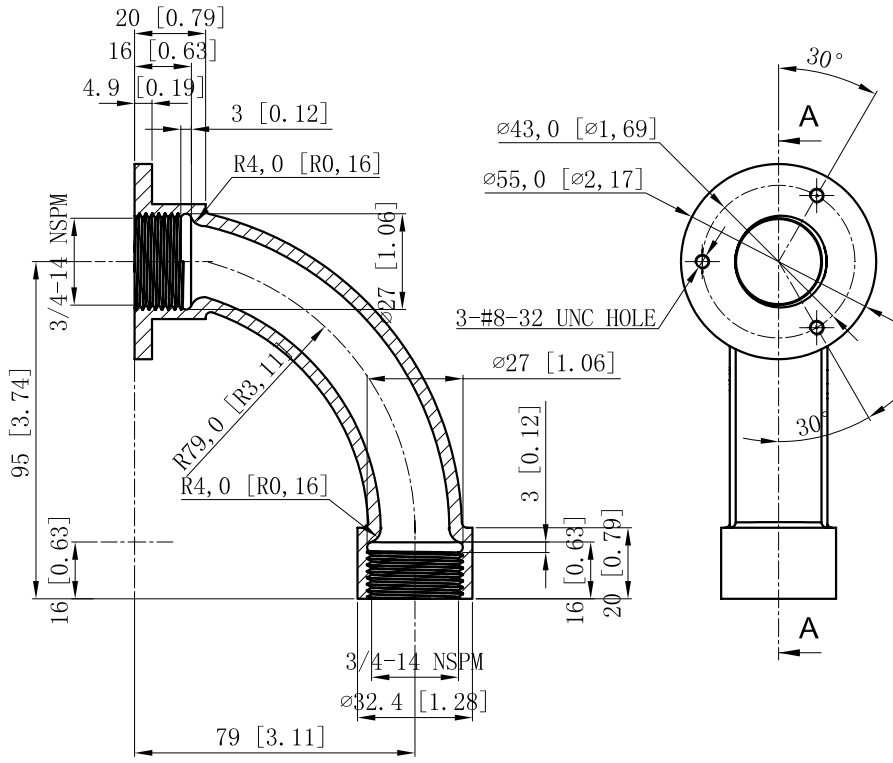
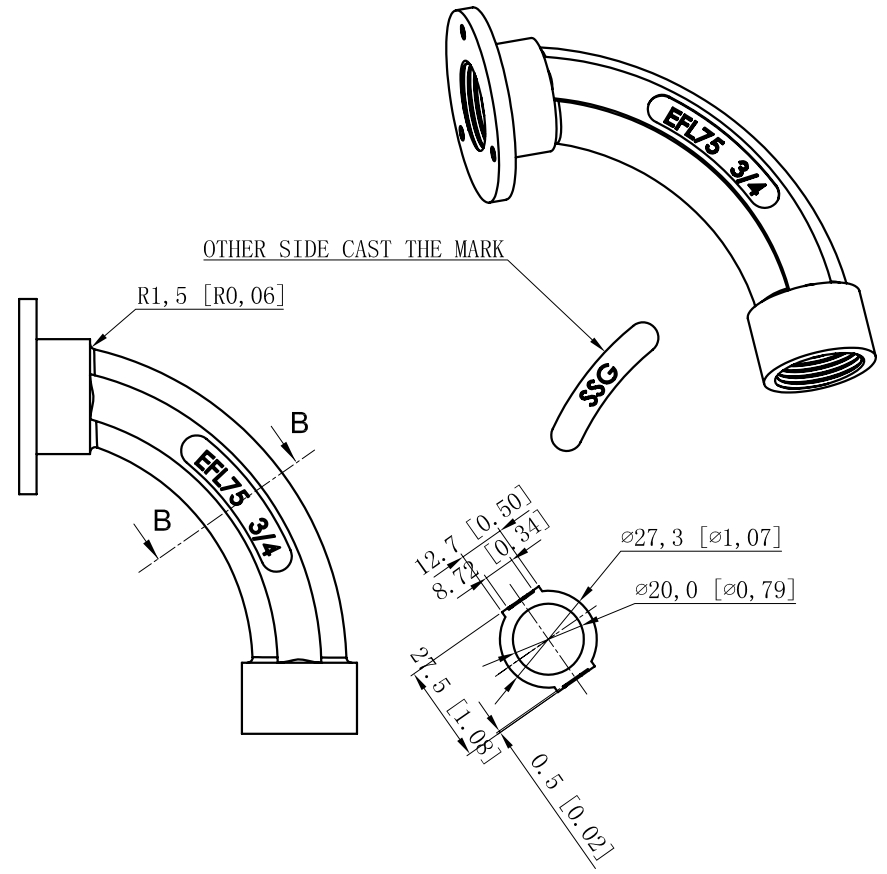


SIDES	BOTTOM
Material:Steel-ZAMAK3 Zinc Plated	



CUTAWAY VIEW A-A



CUTAWAY VIEW B-B

This data sheet is for reference only .GARVIN INDUSTRIES reserves the right to make changes to the design without prior notice.

DESCRIPTION
TRADE REFERENCE TERMS

STANDARD PACKING
100 PCS

GARVIN INDUSTRIES		
TITLE ELECTROFORM CONCRETE SLAB PIPE INSERTS		
SIZE A4	DWG NO. EFL75	REV A
DATA SHEET		