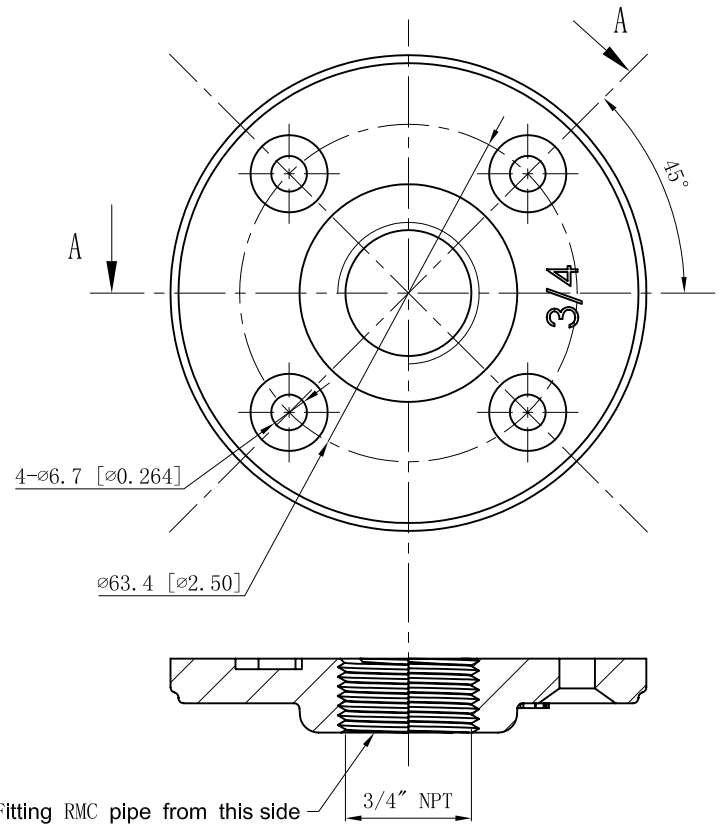
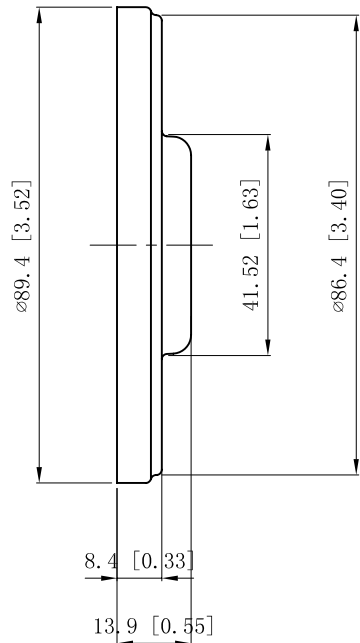
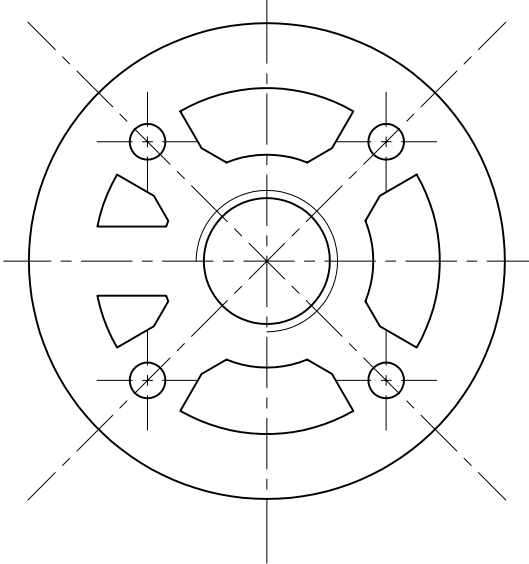
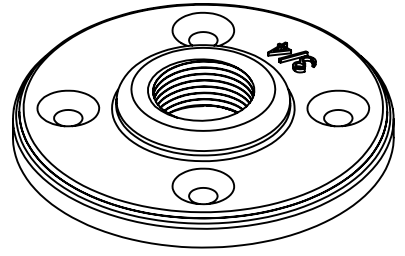


SIDES	BOTTOM
Material:malleable casting, Hot dip galvanized	



CUTAWAY VIEW A-A



This data sheet is for reference only .GARVIN INDUSTRIES reserves the right to make changes to the design without prior notice.

DESCRIPTION
TRADE REFERENCE TERMS

STANDARD PACKING
25 PCS

<b>GARVIN INDUSTRIES</b>		
TITLE FLOOR FLANGED		
SIZE A4	DWG NO. FF-75	REV
DATA SHEET		