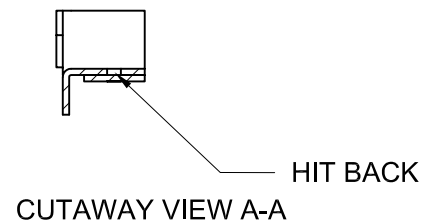
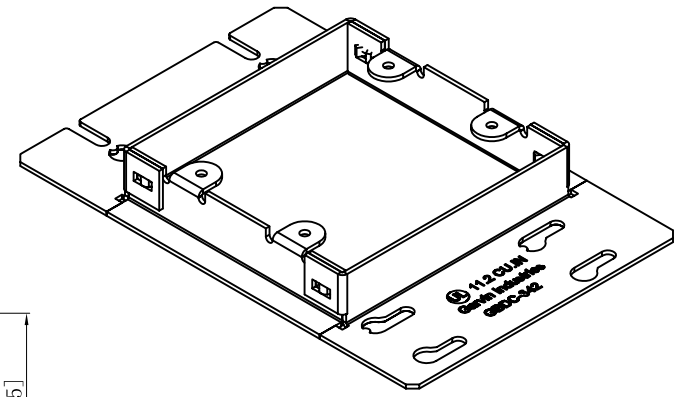
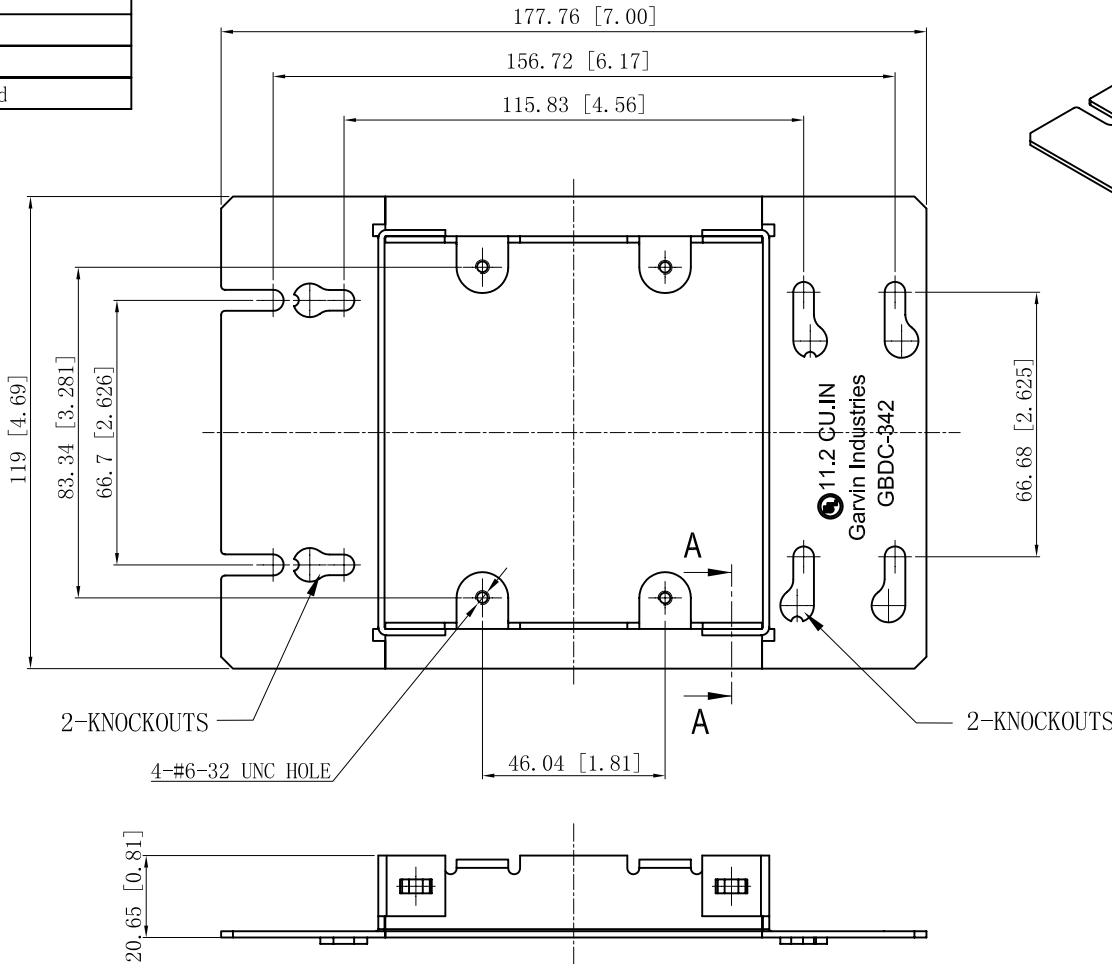


SIDES	BOTTOM
Material: Steel-0.0625"-G60 Galvanized	



This data sheet is for reference only .GARVIN INDUSTRIES reserves the right to make changes to the design without prior notice.

DESCRIPTION
TRADE REFERENCE TERMS

STANDARD PACKING
20 PCS

TITLE			GARVIN INDUSTRIES	
3/4"RAISED MULTI-GANG DEVICE COVERS				
SIZE	DWG NO.	GBDC-342		REV
A4		DATA SHEET		A