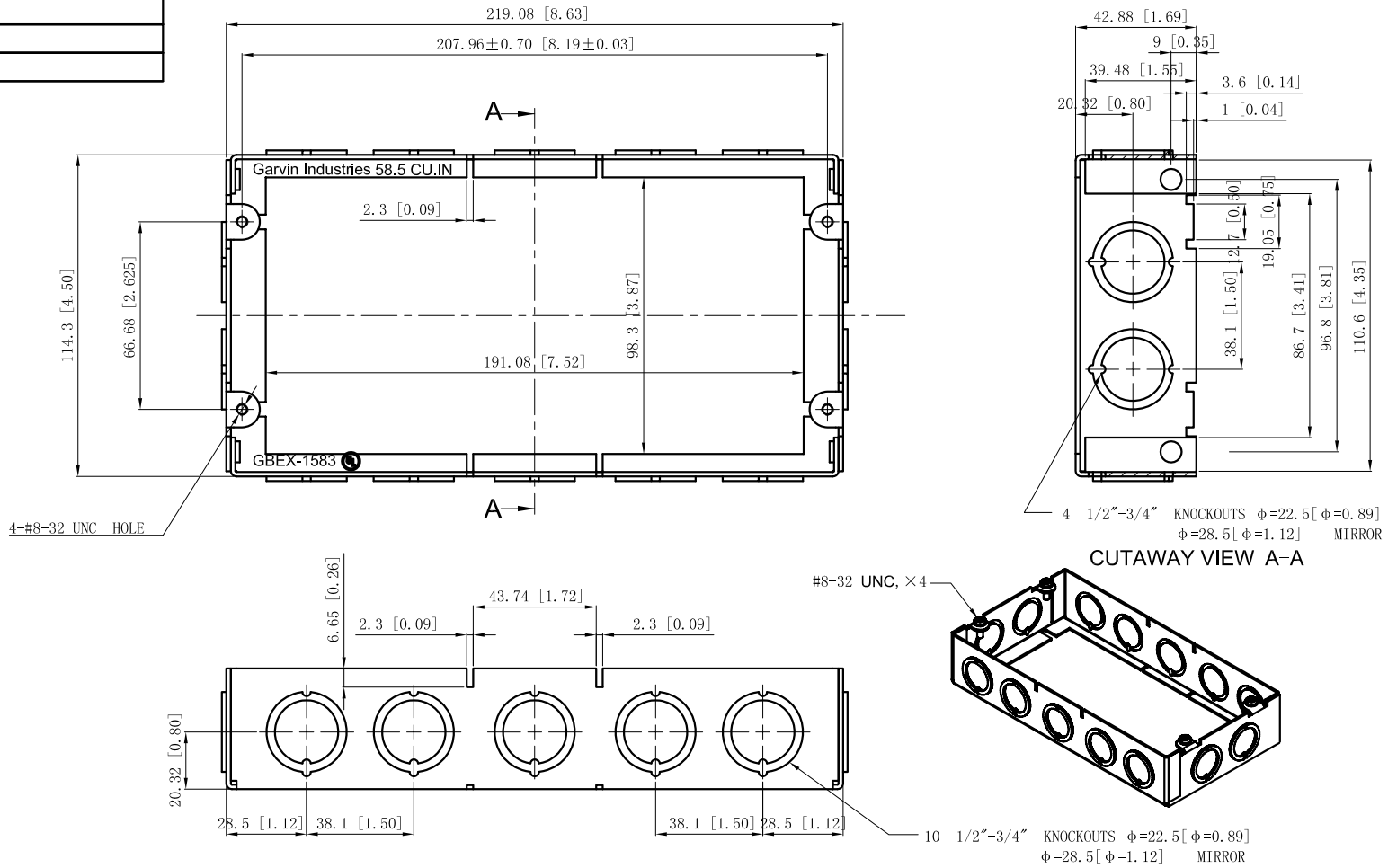


<b>SIDES</b>	<b>BOTTOM</b>
14 1/2"-3/4" KNOCKOUTS	
4 PCS 8-32×1/2 Screws Installed	
Material: Steel-0.0625"-G60 Galvanized	



<b>DESCRIPTION</b>
<b>TRADE REFERENCE TERMS</b>

This data sheet is for reference only .GARVIN INDUSTRIES reserves the right to make changes to the design without prior notice.

<b>STANDARD PACKING</b>	<b>GARVIN INDUSTRIES</b>		
	TITLE 1-5/8" DEEP MULTI-GANG BOXES EXTENSION RIGS		
20 PCS	SIZE A4	DWG NO. GBEX-1583	REV
	DATA SHEET		