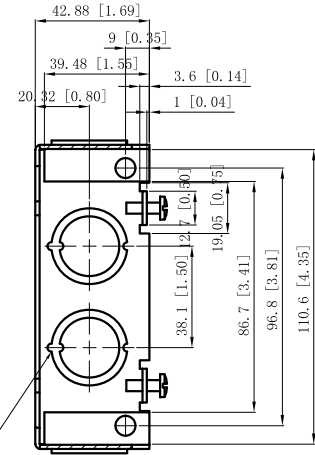
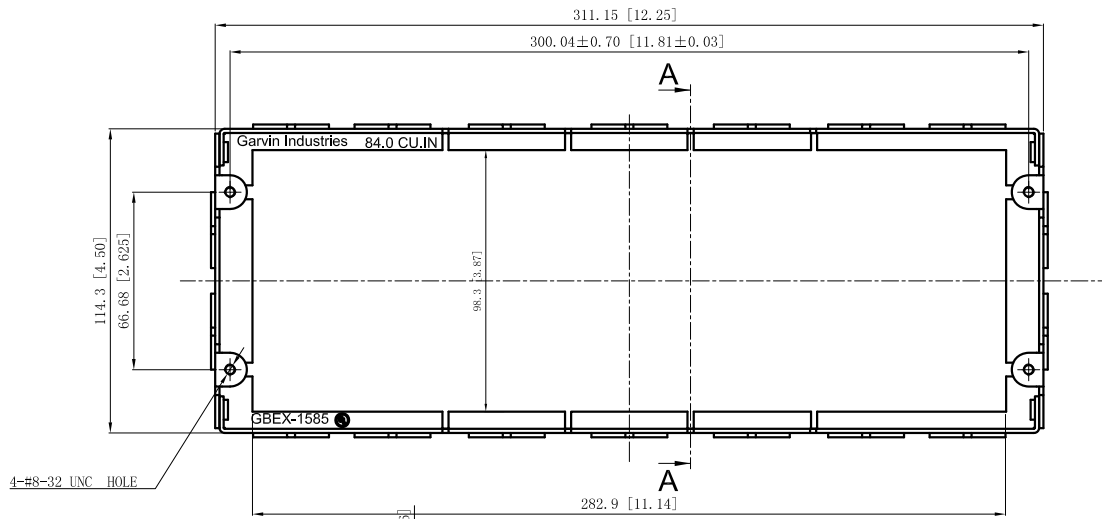
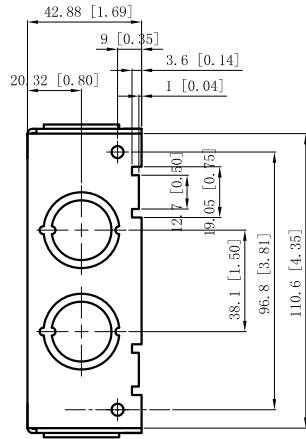
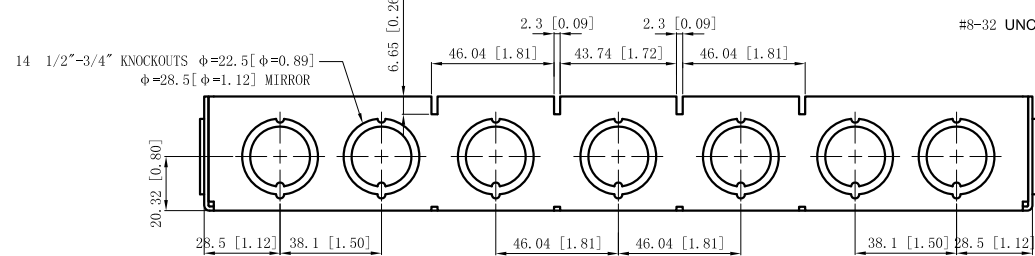


SIDES	BOTTOM
18 1/2"-3/4" KNOCKOUTS	
4 PCS 8-32X1/2 Screws Installed	
Material:Steel-0.0625"-G60 Galvanized	

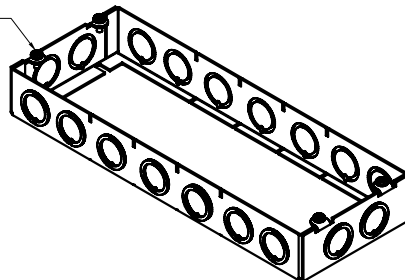


4 1/2"-3/4" KNOCKOUTS $\phi=22.5$ [$\phi=0.89$]
 $\phi=28.5$ [$\phi=1.12$] MIRROR

CUTAWAY VIEW A-A



#8-32 UNC, X4



DESCRIPTION
TRADE REFERENCE TERMS

This data sheet is for reference only .GARVIN INDUSTRIES reserves the right to make changes to the design without prior notice.

STANDARD PACKING
10 PCS

GARVIN INDUSTRIES		
TITLE 1-5/8" DEEP MULTI-GANG BOXES EXTENSION RIGS		
SIZE A4	DWG NO. GBEX-1585	REV
DATA SHEET		