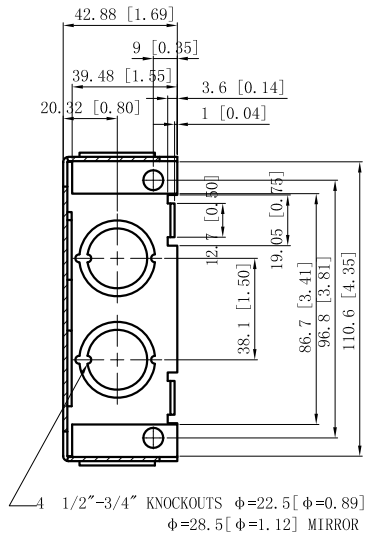
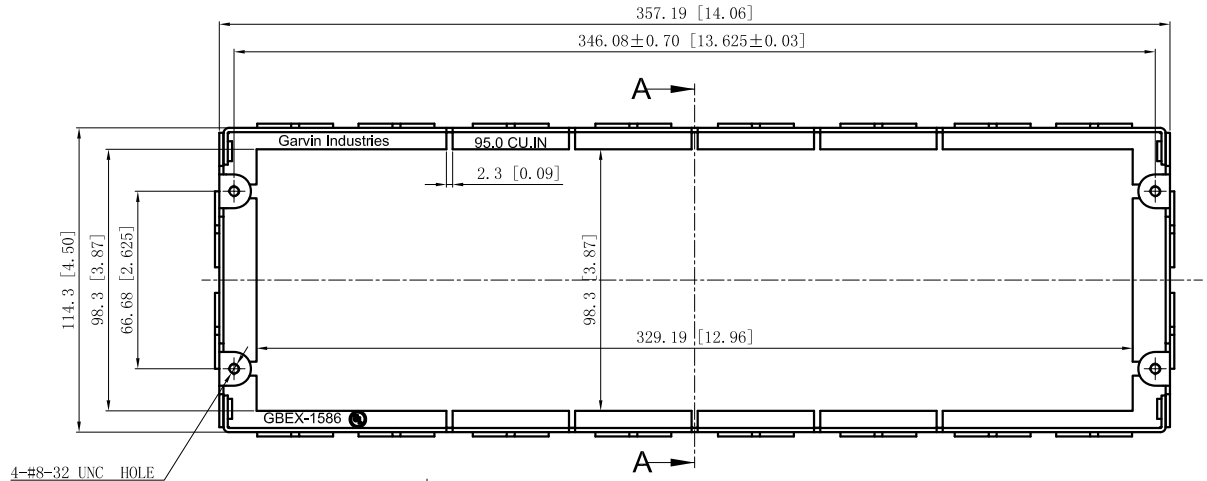
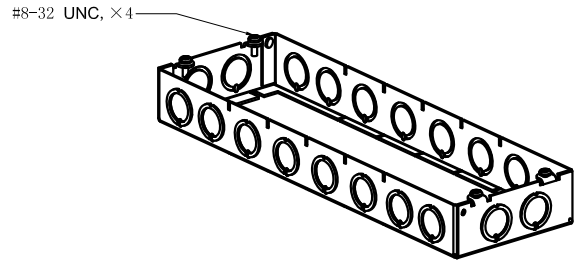
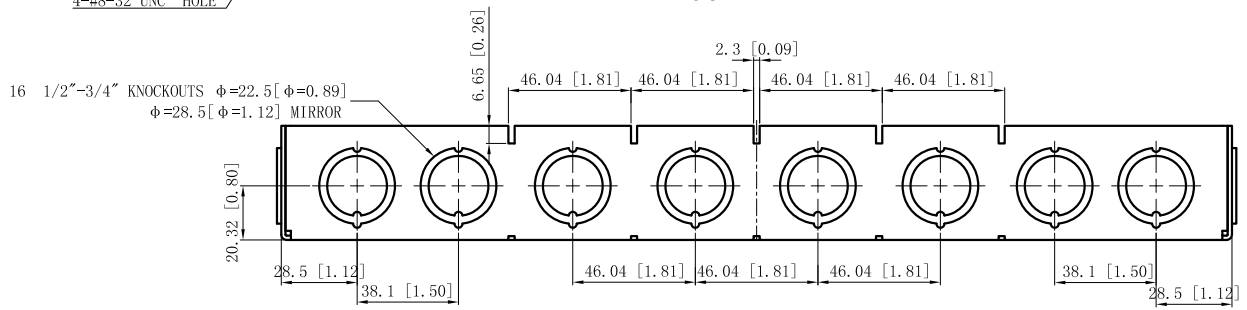


SIDES	BOTTOM
18 1/2"-3/4" KNOCKOUTS	
4 PCS 8-32×1/2 Screws Installed	
Material:Steel-0.0625"-G60 Galvanized	



CUTAWAY VIEW A-A



This data sheet is for reference only .GARVIN INDUSTRIES reserves the right to make changes to the design without prior notice.

DESCRIPTION
TRADE REFERENCE TERMS

STANDARD PACKING
5 PCS

GARVIN INDUSTRIES		
TITLE 1-5/8" DEEP MULTI-GANG BOXES EXTENSION RIGS		
SIZE A4	DWG NO. GBEX-1586	REV
DATA SHEET		