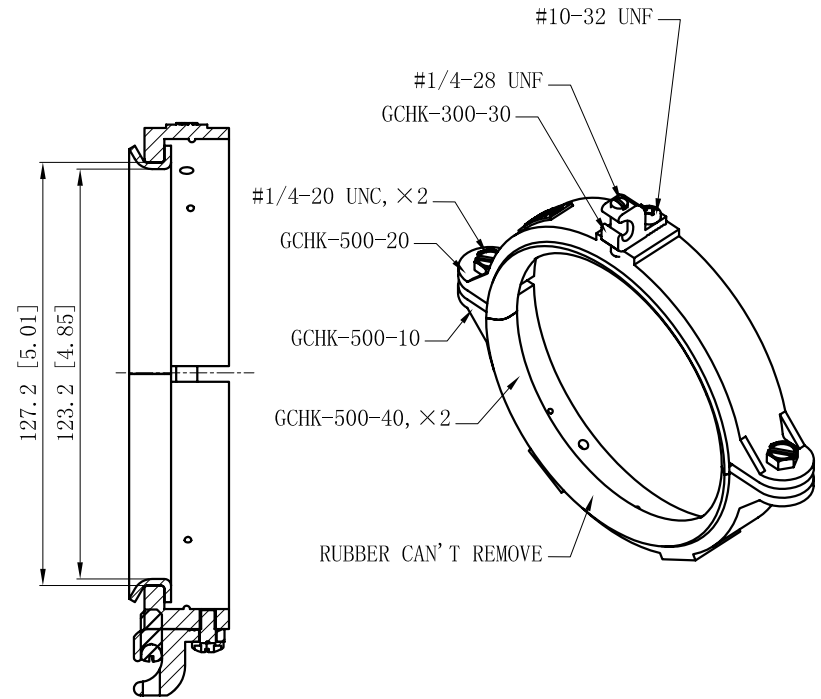
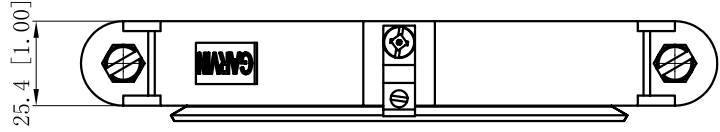
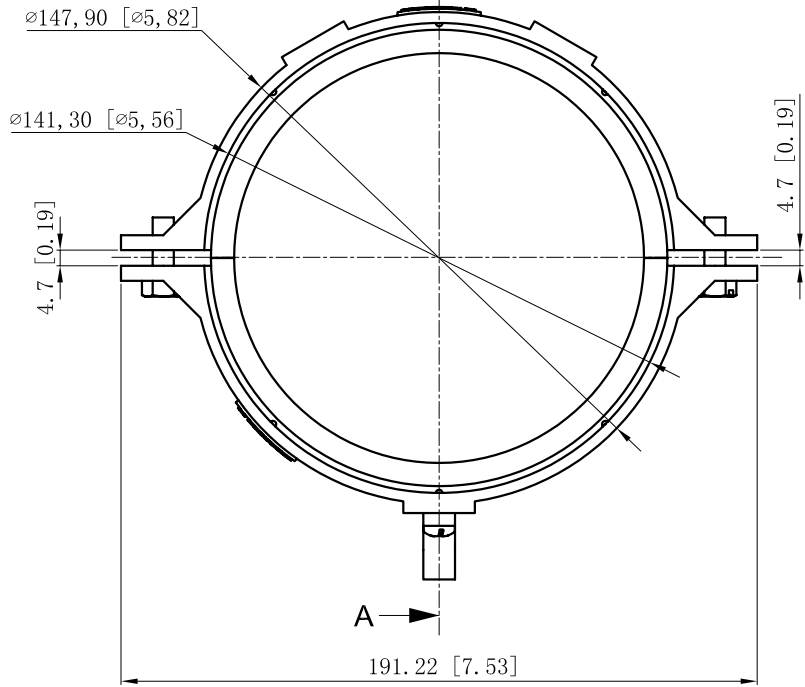
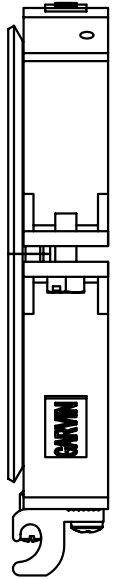
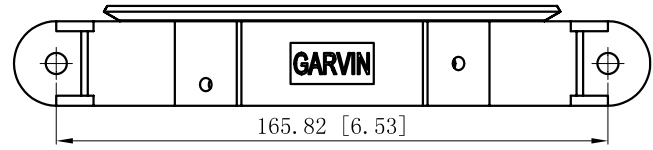


SIDES	BOTTOM
1 PCS 10-32×3/8 Screws Installed	
1 PCS 1/4-28×5/8 Screws Installed	
2 PCS 1/4-20×3/4 Screws Installed	
Material:Zamak-ZAMAK 3	



CUTAWAY VIEW A-A

This data sheet is for reference only .GARVIN INDUSTRIES reserves the right to make changes to the design without prior notice.

DESCRIPTION
TRADE REFERENCE TERMS

STANDARD PACKING
10 PCS

GARVIN INDUSTRIES		
TITLE GROUND CHOKE		
SIZE A4	DWG NO. GCHK-500	REV
DATA SHEET		