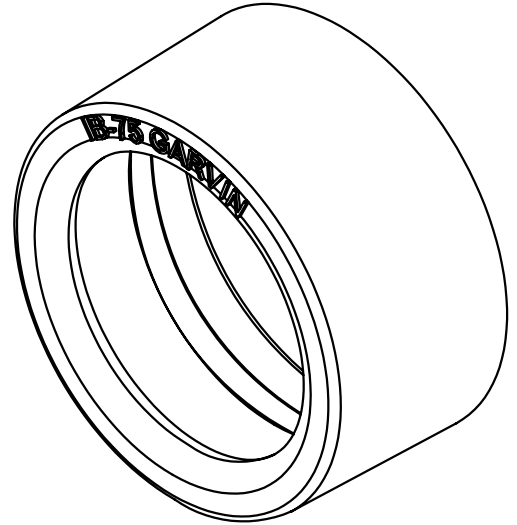
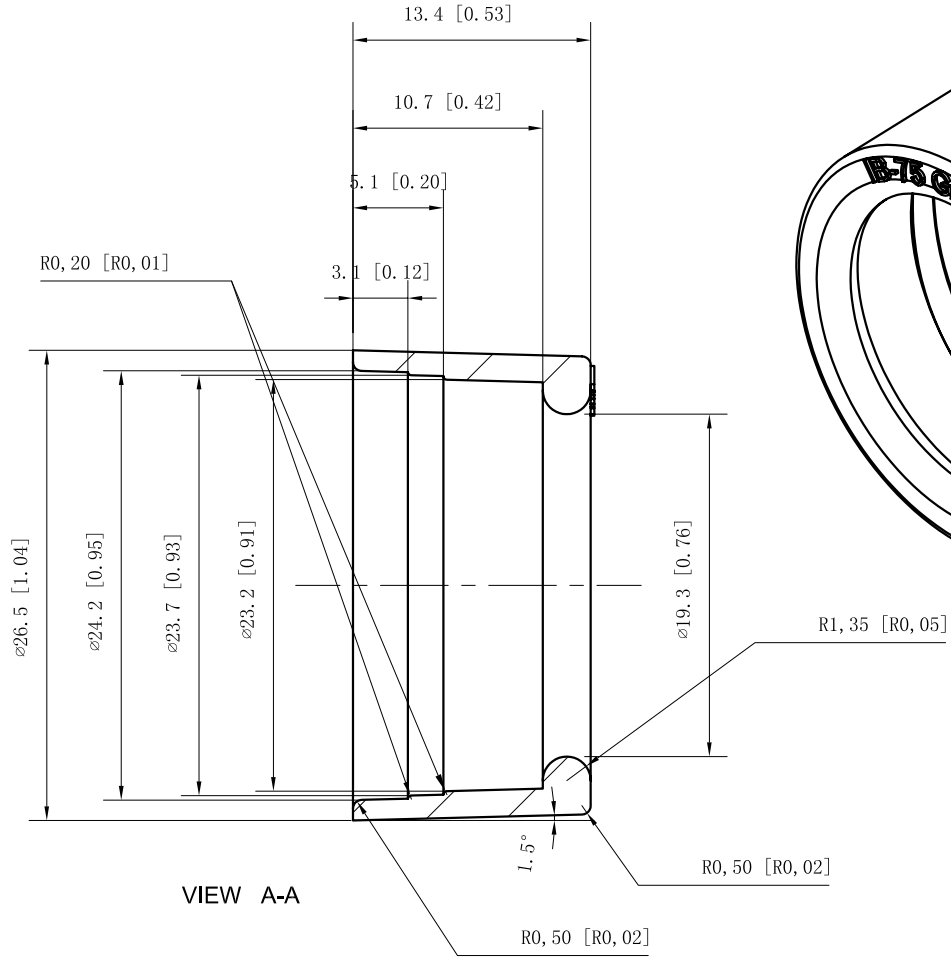
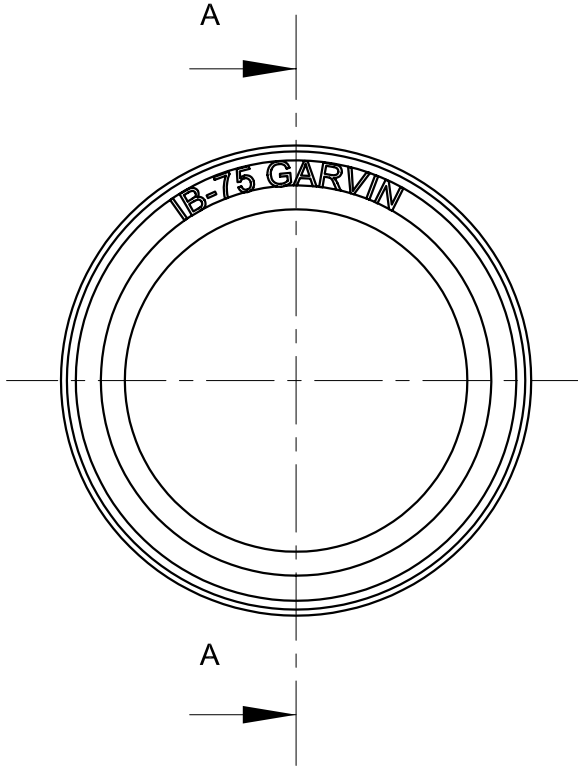


SIDES	BOTTOM
Material:Plastic-PP	



DESCRIPTION
TRADE REFERENCE TERMS

This data sheet is for reference only .GARVIN INDUSTRIES reserves the right to make changes to the design without prior notice.

STANDARD PACKING
50/500 PCS

GARVIN INDUSTRIES		
TITLE EMT INSULATING BUSHING		
SIZE A4	DWG NO. IB-75	REV
DATA SHEET		