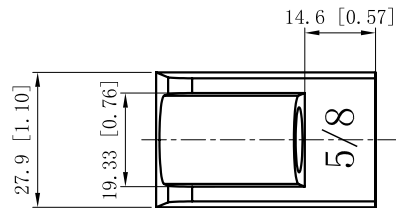
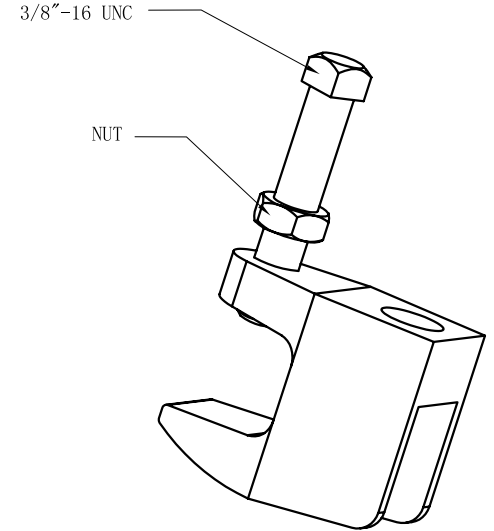
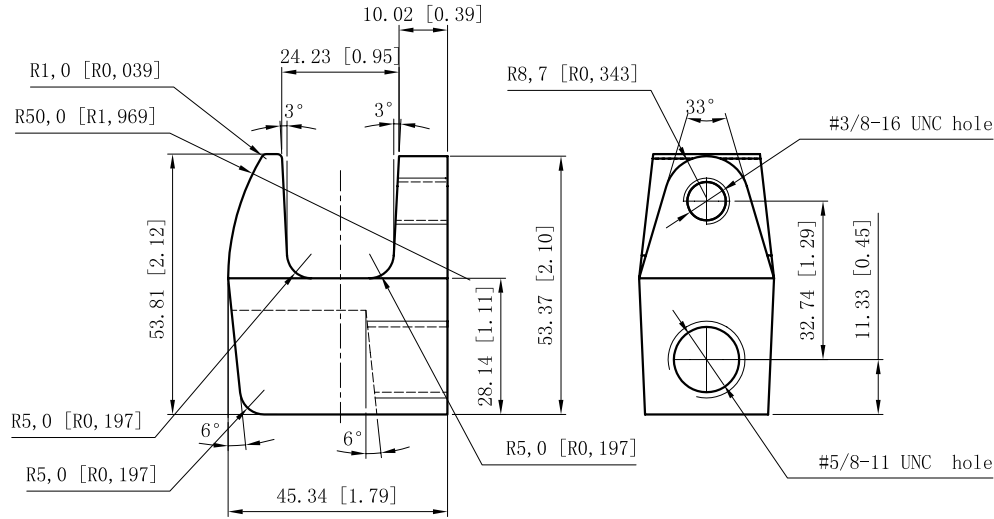
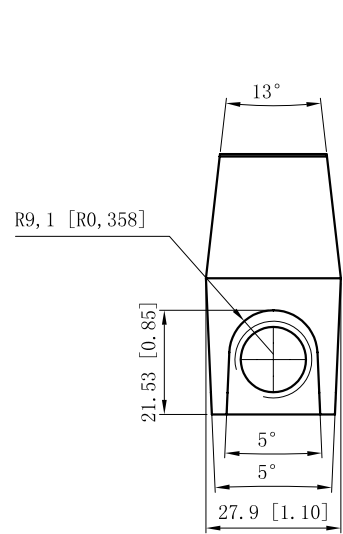


SIDES	BOTTOM
1 PCS 3/8-16×2 Screws Installed	
1 PCS 3/8-16 Nut Installed	
Material:Steel-Malleable Lron 32510 Sandblast	



DESCRIPTION
TRADE REFERENCE TERMS

This data sheet is for reference only .GARVIN INDUSTRIES reserves the right to make changes to the design without prior notice.

STANDARD PACKING	<h1 style="text-align: center;">GARVIN INDUSTRIES</h1> <h2 style="text-align: center;">PIPE-FITTERS TOP BEAM CLAMP</h2>			
25/250 PCS				
	TITLE	SIZE	DWG NO.	REV
		A4	JFC-5811	
	DATA SHEET			