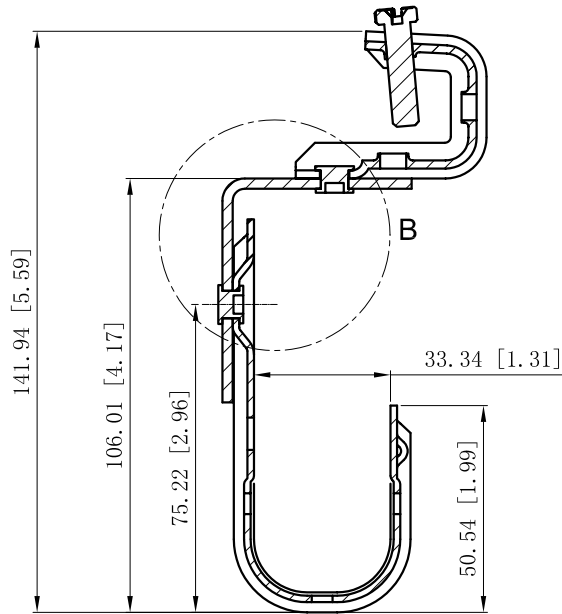
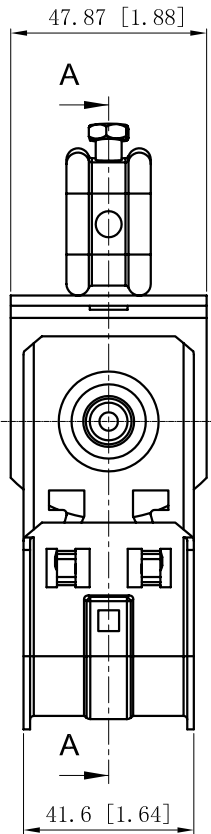
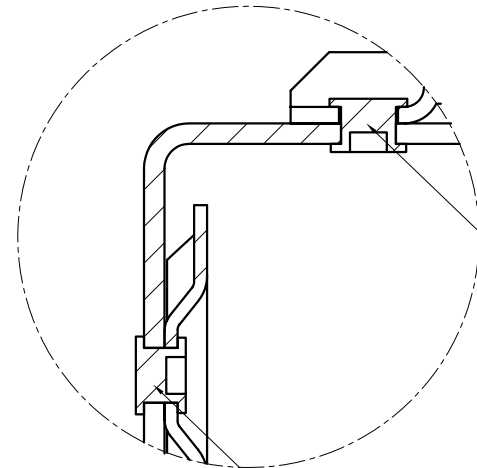


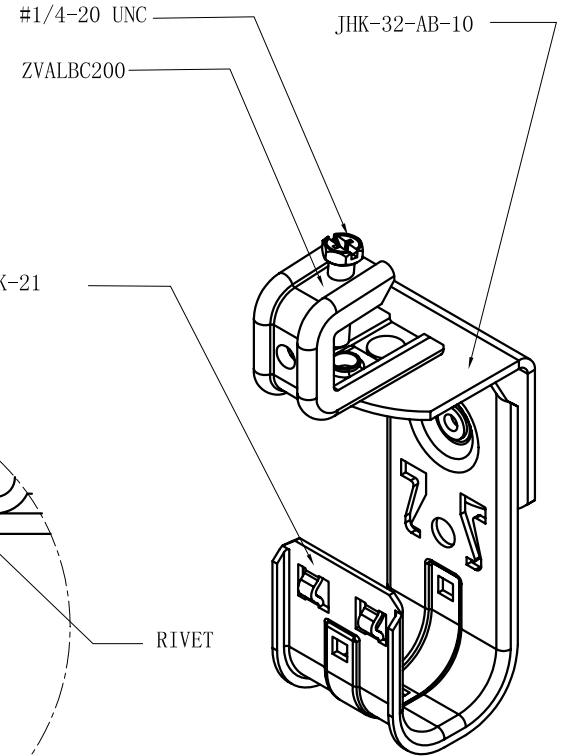
SIDES	BOTTOM
Material: Steel-0.047"-G60 Galvanized	



VIEW A-A



VIEW B



DESCRIPTION
TRADE REFERENCE TERMS

This data sheet is for reference only .GARVIN INDUSTRIES reserves the right to make changes to the design without prior notice.

STANDARD PACKING	<h1 style="text-align: center;">GARVIN INDUSTRIES</h1> <h2 style="text-align: center;">J-HOOKS WITH BEAM CLAMPS</h2>		
50 PCS			
SIZE	DWG NO.	TITLE	REV
A4	JHK-21-BC	JHK-21-BC	
DATA SHEET			