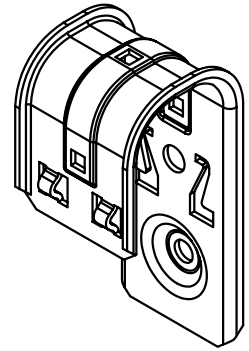
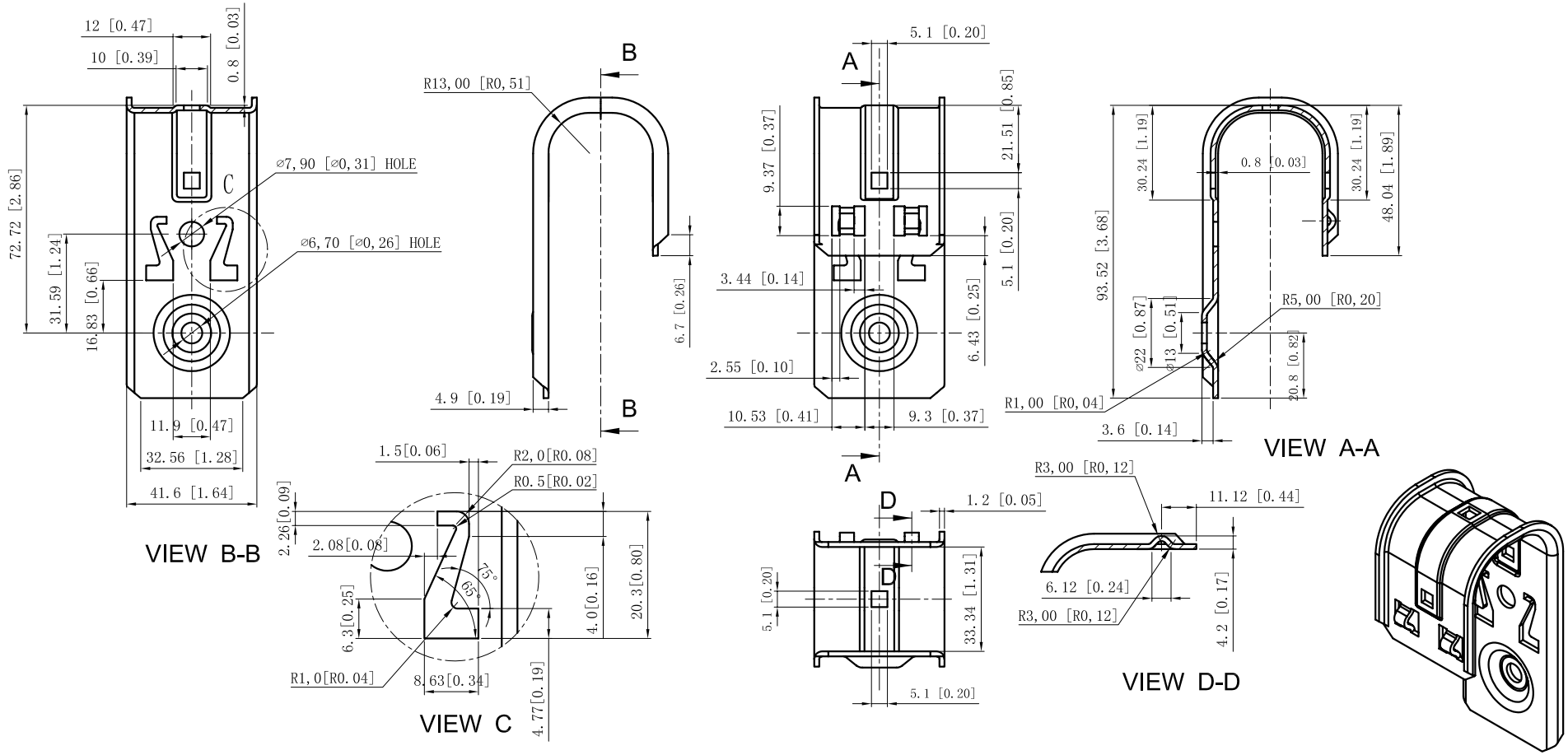


SIDES	BOTTOM
Material: Steel-0.047"-G60 Galvanized	



This data sheet is for reference only .GARVIN INDUSTRIES reserves the right to make changes to the design without prior notice.

DESCRIPTION
TRADE REFERENCE TERMS

STANDARD PACKING	GARVIN INDUSTRIES		
50 PCS			
	TITLE	J-HOOKS	
	SIZE	DWG NO.	REV
	A4	JHK-21	
		DATA SHEET	