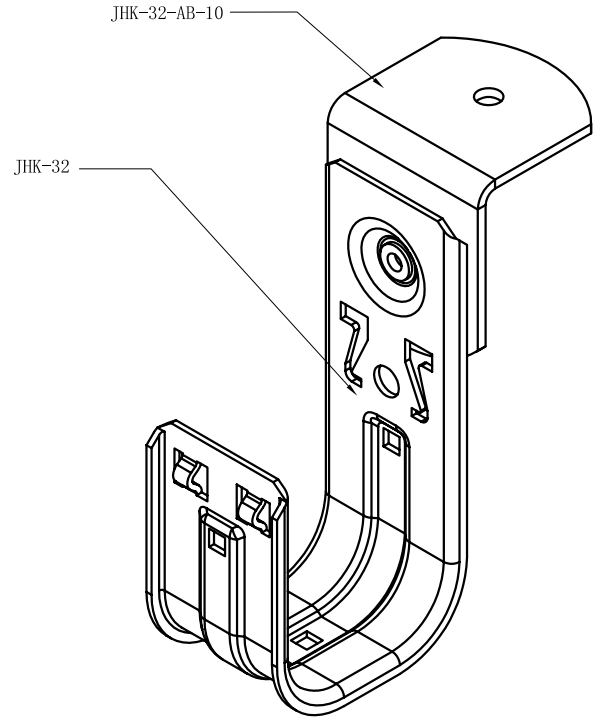
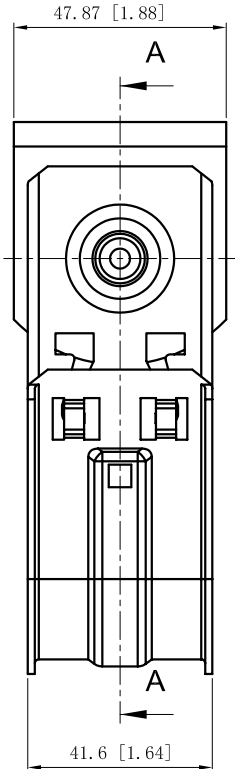
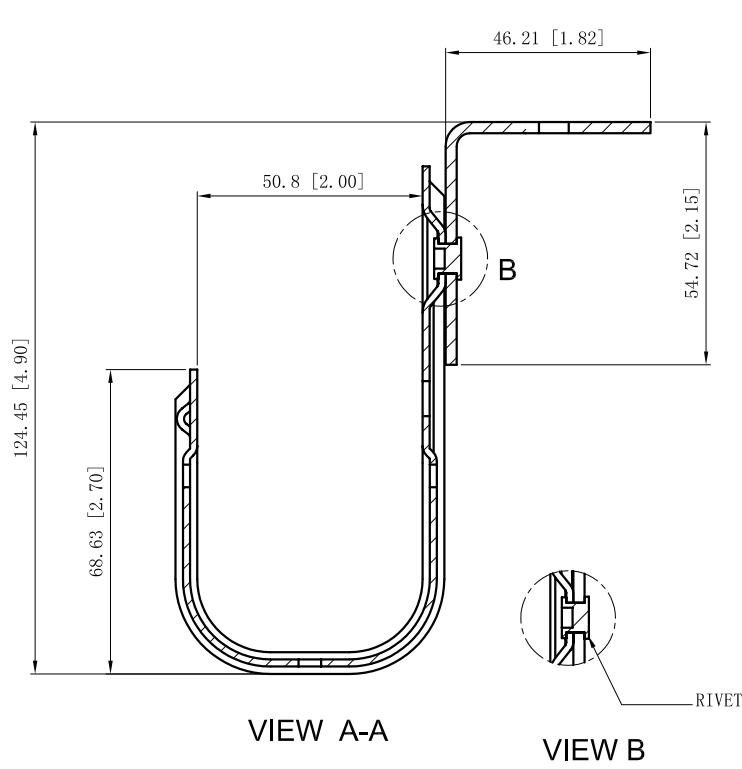


SIDES	BOTTOM
Material: Steel-0.047"-G60 Galvanized	



DESCRIPTION
TRADE REFERENCE TERMS

This data sheet is for reference only .GARVIN INDUSTRIES reserves the right to make changes to the design without prior notice.

STANDARD PACKING	<h1 style="text-align: center;">GARVIN INDUSTRIES</h1> <h2 style="text-align: center;">J-HOOKS WITH ANGLE BRACKET</h2>		
50 PCS			
	SIZE	DWG NO.	REV
	A4	JHK-32-AB	
DATA SHEET			