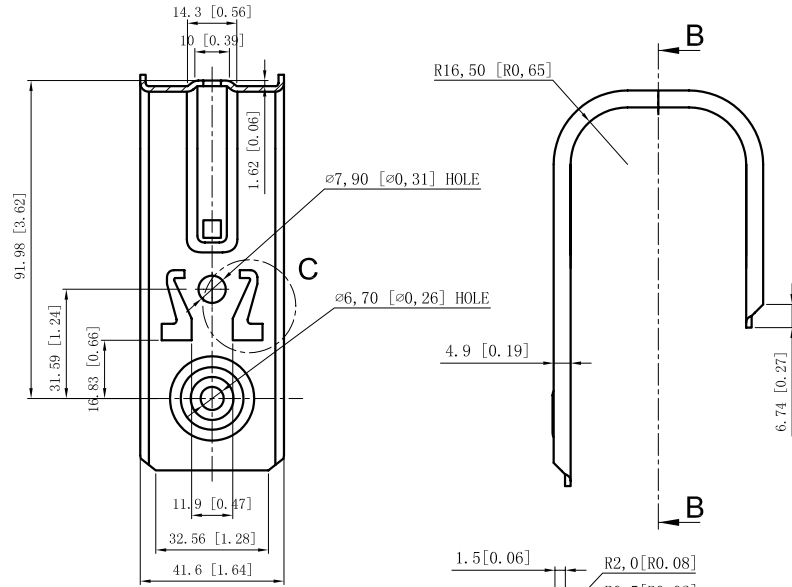


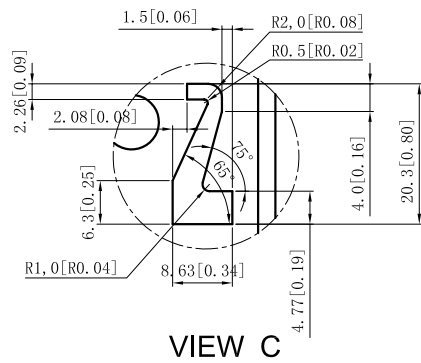
SIDES

BOTTOM

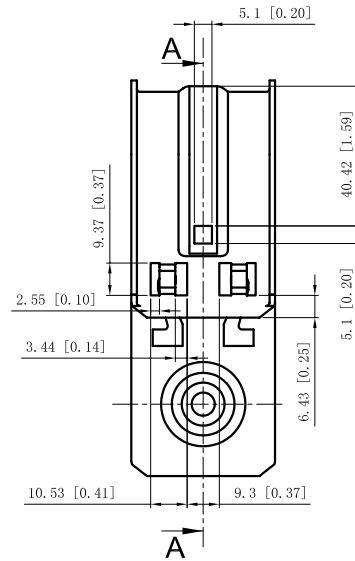
Material: Steel-0.047"-G60 Galvanized



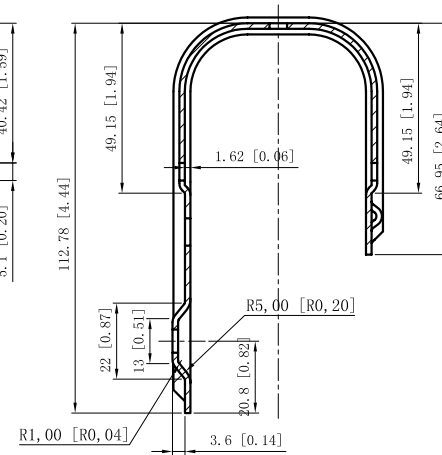
VIEW B-B



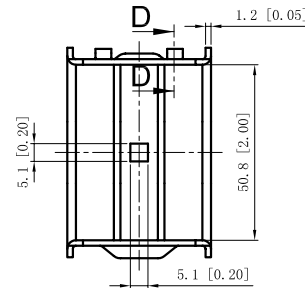
VIEW C



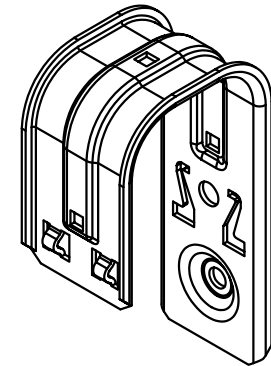
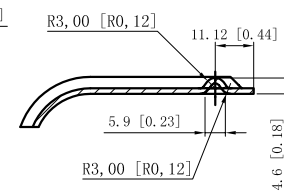
VIEW A



VIEW A-A



VIEW D-D



This data sheet is for reference only .GARVIN INDUSTRIES reserves the right to make changes to the design without prior notice.

DESCRIPTION
TRADE REFERENCE TERMS

STANDARD PACKING	GARVIN INDUSTRIES		
50 PCS			
TITLE	J-HOOKS		
SIZE	DWG NO.	JHK-32	REV
A4		DATA SHEET	