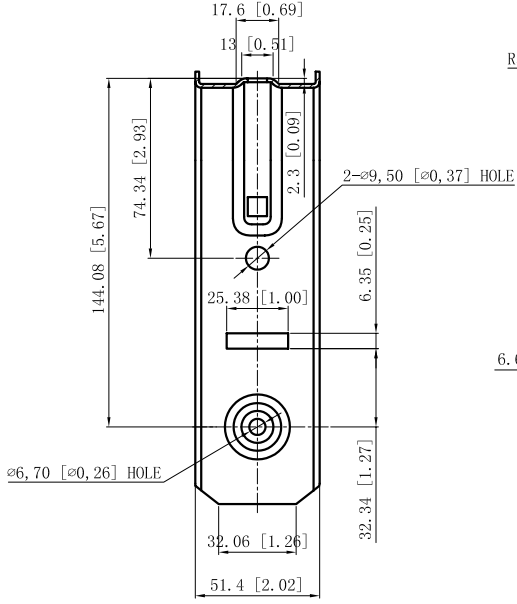
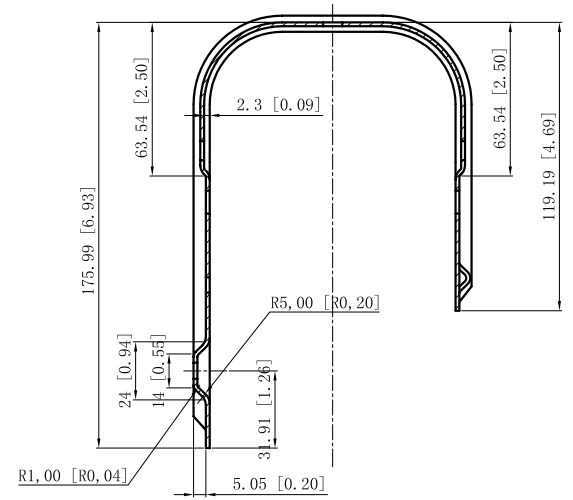
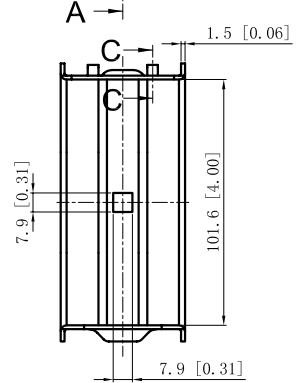
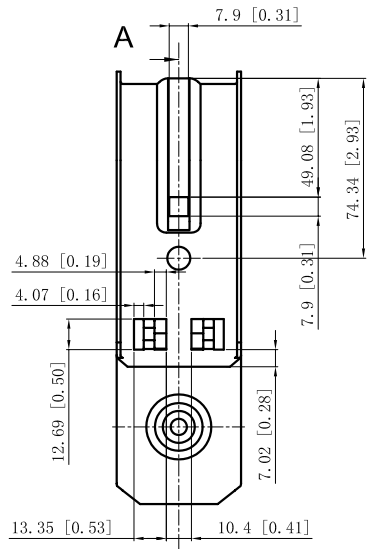
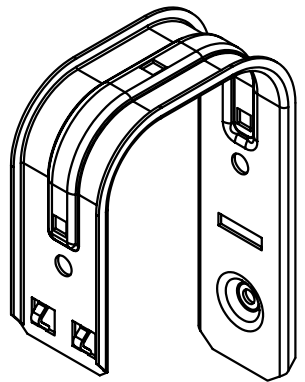
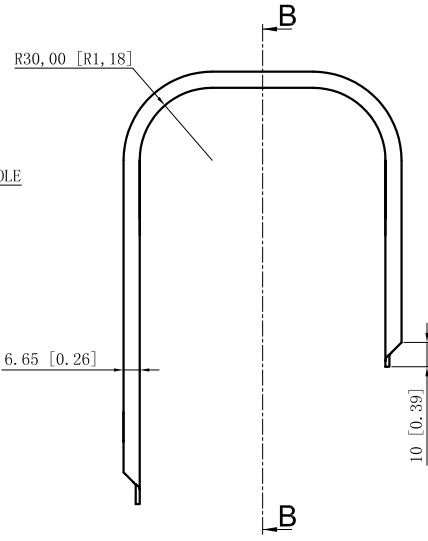


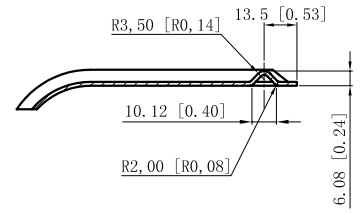
SIDES	BOTTOM
Material: Steel-0.059"-G60 Galvanized	



VIEW B-B



VIEW A-A



VIEW C-C

This data sheet is for reference only .GARVIN INDUSTRIES reserves the right to make changes to the design without prior notice.

DESCRIPTION
TRADE REFERENCE TERMS

STANDARD PACKING
25 PCS

<h1>GARVIN INDUSTRIES</h1>		
<h2>J-HOOKS</h2>		
SIZE	DWG NO.	REV
A4	JHK-64	
<h3>DATA SHEET</h3>		