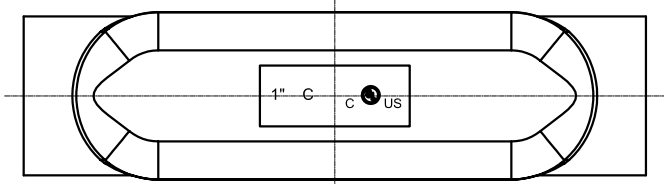
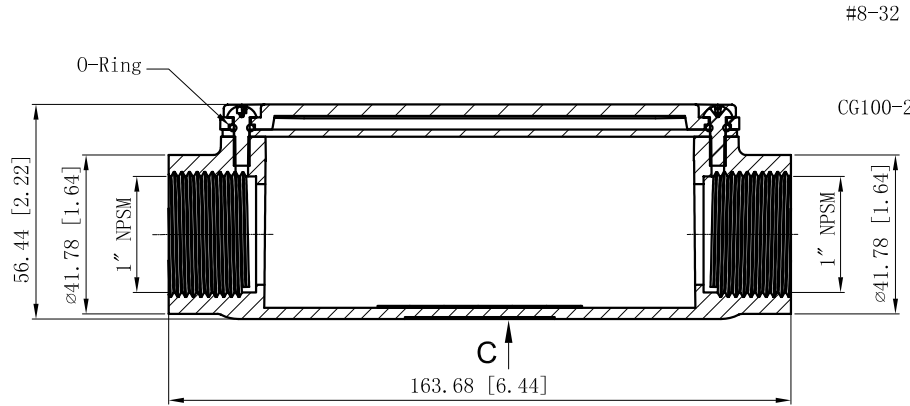


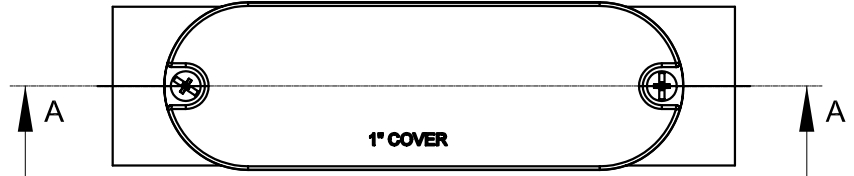
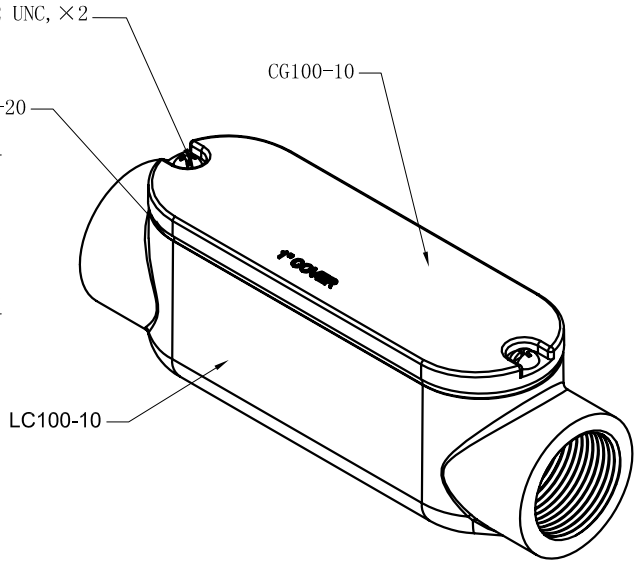
SIDES	BOTTOM
2 PCS 8-32×1/2 Screws Installed	
2 PCS 3.55×1.8G (GB34521-92) O-Ring.	
Material:Aluminum-ALUMINUM Powder Coating Silver Grey	



VIEW C



CUTAWAY VIEW C



This data sheet is for reference only .GARVIN INDUSTRIES reserves the right to make changes to the design without prior notice.

DESCRIPTION
TRADE REFERENCE TERMS

STANDARD PACKING
5/20 PCS

GARVIN INDUSTRIES		
TITLE "LC" ALUMINUM CONDUIT BODY		
SIZE A4	DWG NO. LC100	REV
DATA SHEET		