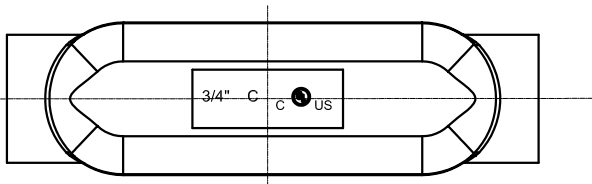
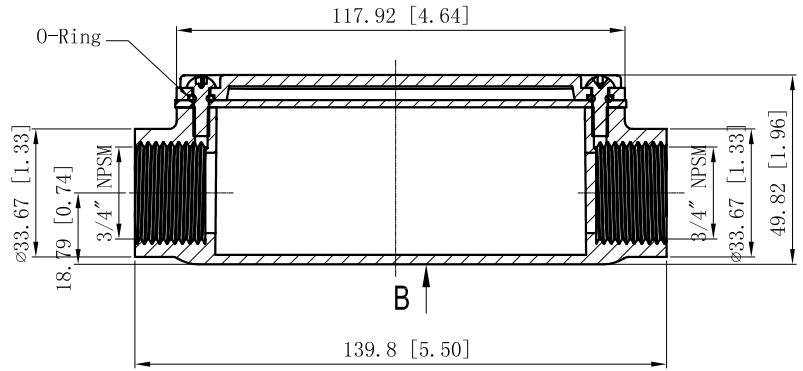


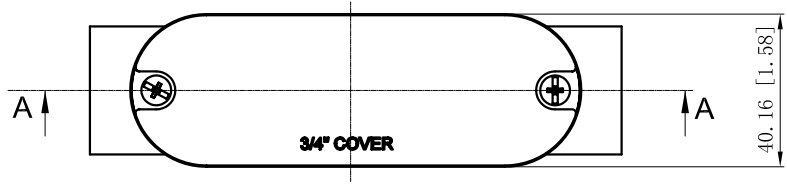
| | |
|-----------------------------------------------|--------|
| SIDES | BOTTOM |
| | |
| | |
| | |
| 2 PCS 8-32×1/2 Screws Installed | |
| 2 PCS 3.55 X 1.8G (GB34521-92) O-Ring | |
| Material: Aluminum Powder Coating Silver Grey | |



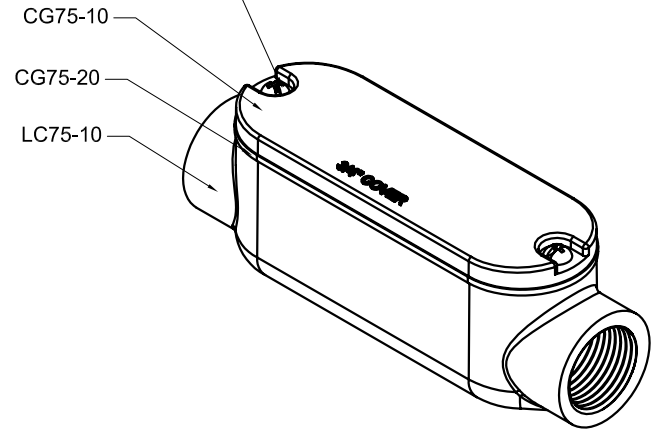
VIEW B



CUTAWAY VIEW B



#8-32, ×2 [SEE NOTE 5]



| |
|-----------------------|
| DESCRIPTION |
| |
| TRADE REFERENCE TERMS |
| |

This data sheet is for reference only .GARVIN INDUSTRIES reserves the right to make changes to the design without prior notice.

| | | | |
|------------------|------------------------------------------------------------------------------------------------------------------------|-----|--|
| STANDARD PACKING | <h1 style="text-align: center;">GARVIN INDUSTRIES</h1> <h2 style="text-align: center;">"LC" ALUMINUM CONDUIT BODY</h2> | | |
| 10/40 PCS | | | |
| SIZE | DWG NO. | REV | |
| A4 | LC75 | | |
| DATA SHEET | | | |