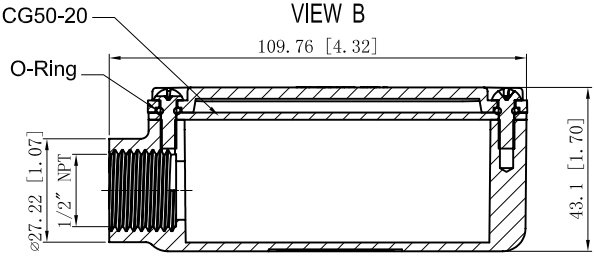
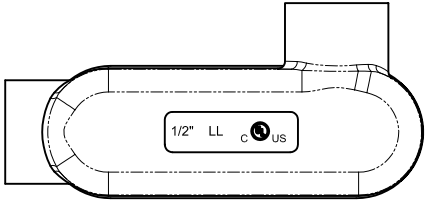
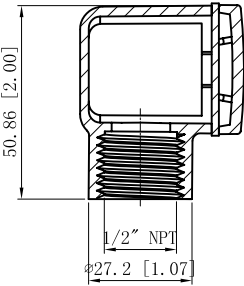
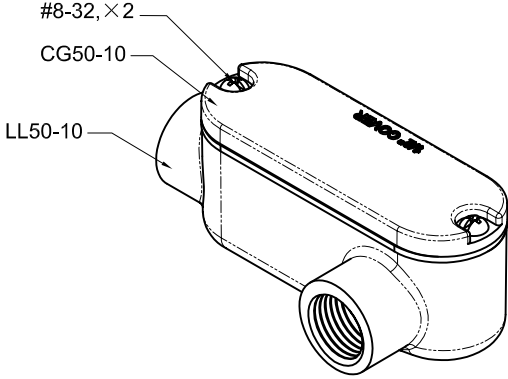
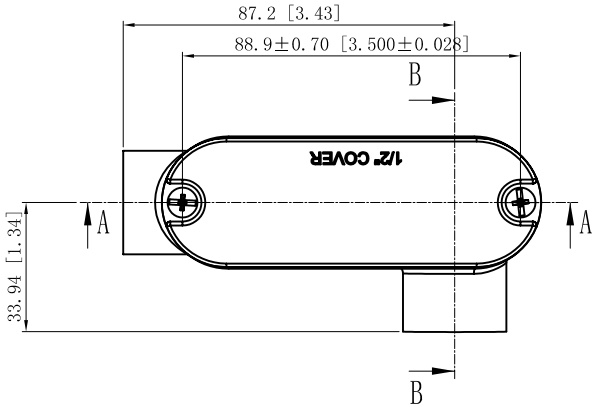


SIDES	BOTTOM
2 PCS 8-32×1/2 Screws Installed	
2 PCS 3.55 X 1.8G (GB34521-92) O-Ring	
Material: Aluminum Powder Coating Silver Grey	



C CUTAWAY VIEW A-A



CUTAWAY VIEW B-B

This data sheet is for reference only .GARVIN INDUSTRIES reserves the right to make changes to the design without prior notice.

DESCRIPTION
TRADE REFERENCE TERMS

STANDARD PACKING
10 PCS

TITLE			REV
"LL" ALUMINUM CONDUIT BODY			
SIZE	DWG NO.		
A4	LL50		
DATA SHEET			