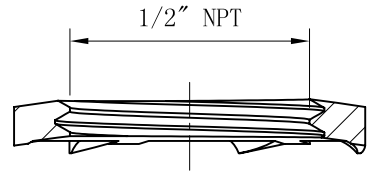
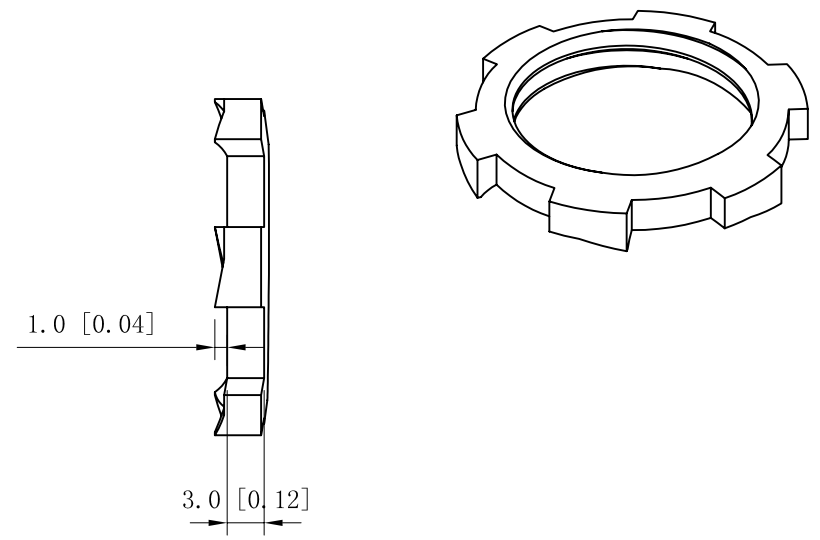
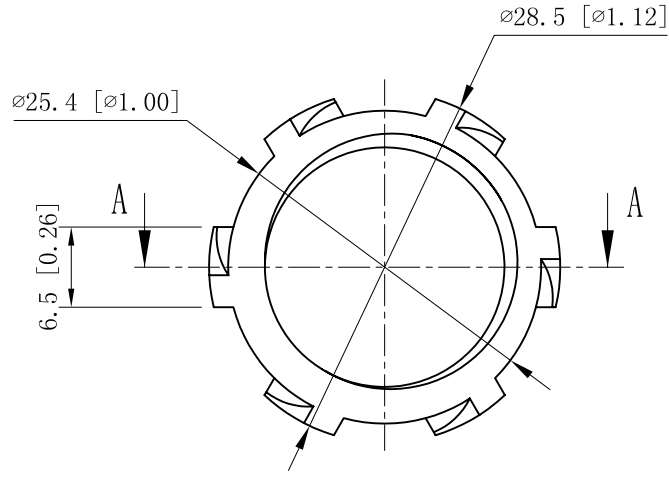


SIDES	BOTTOM
Material: Steel-0.114~0.122"-H.R.S, zinc plated	



CUTAWAY VIEW A-A

This data sheet is for reference only .GARVIN INDUSTRIES reserves the right to make changes to the design without prior notice.

DESCRIPTION
TRADE REFERENCE TERMS

STANDARD PACKING	<h1>GARVIN INDUSTRIES</h1>		
100 PCS			
TITLE	STEEL LOCKNUTS		
SIZE	DWG NO.	LN-50	REV
A4		DATA SHEET	