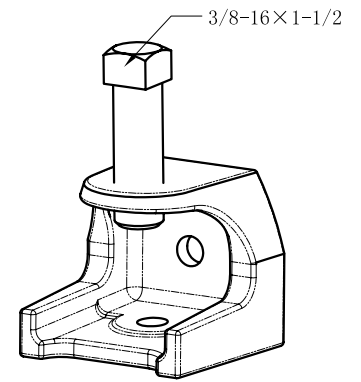
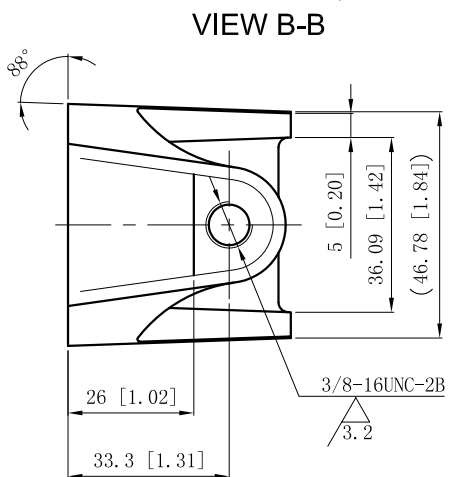
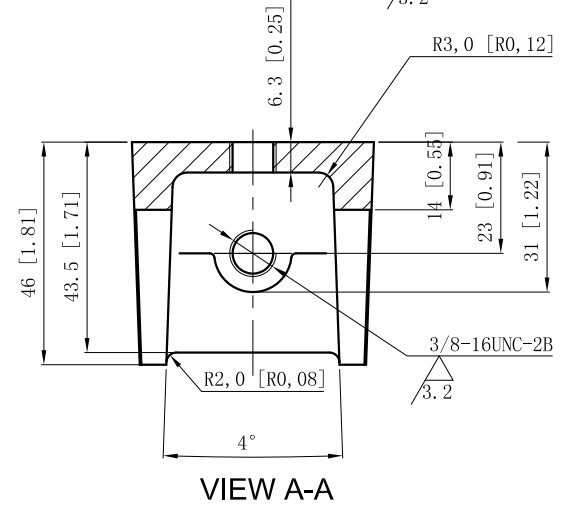
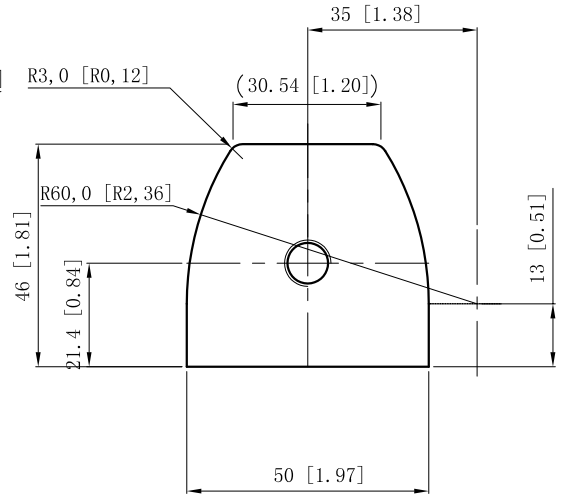
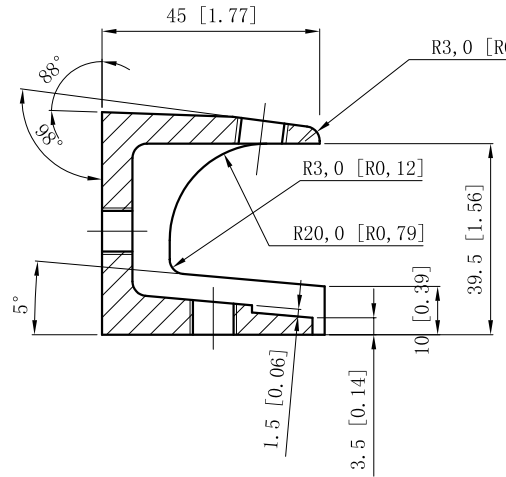
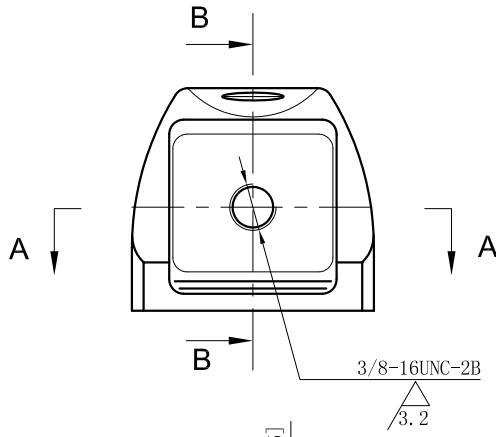


|   |        |
|---|--------|
| SIDES                                       | BOTTOM |
|   |        |
|   |        |
| 1 PCS 3/8-16×1 1/2 Screws Installed         |        |
| Material:Steel-Malleable Casting Galvanized |        |



This data sheet is for reference only .GARVIN INDUSTRIES reserves the right to make changes to the design without prior notice.

|                       |
|-----------------------|
| DESCRIPTION           |
|                       |
| TRADE REFERENCE TERMS |
|                       |

|                  |
|------------------|
| STANDARD PACKING |
| 25 PCS           |

|                                     |                     |          |
|-------------------------------------|---------------------|----------|
| <b>GARVIN INDUSTRIES</b>            |                     |          |
| TITLE<br>MALLEABLE IRON BEAM CLAMPS |                     |          |
| SIZE<br>A4                          | DWG NO.<br>MBC-3816 | REV<br>A |
| DATA SHEET                          |                     |          |