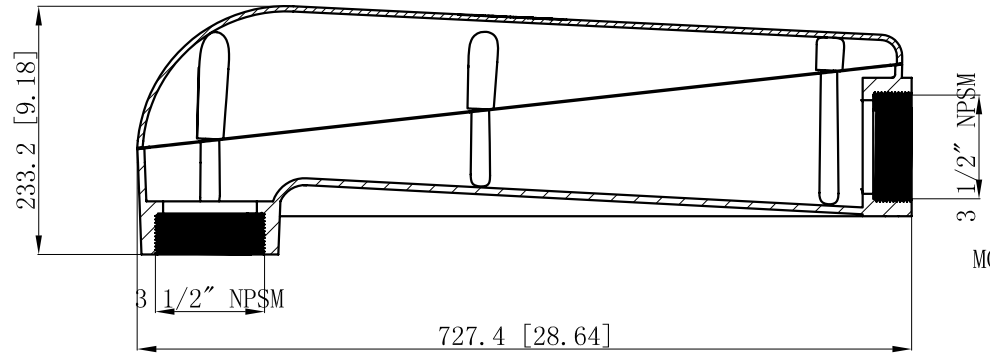
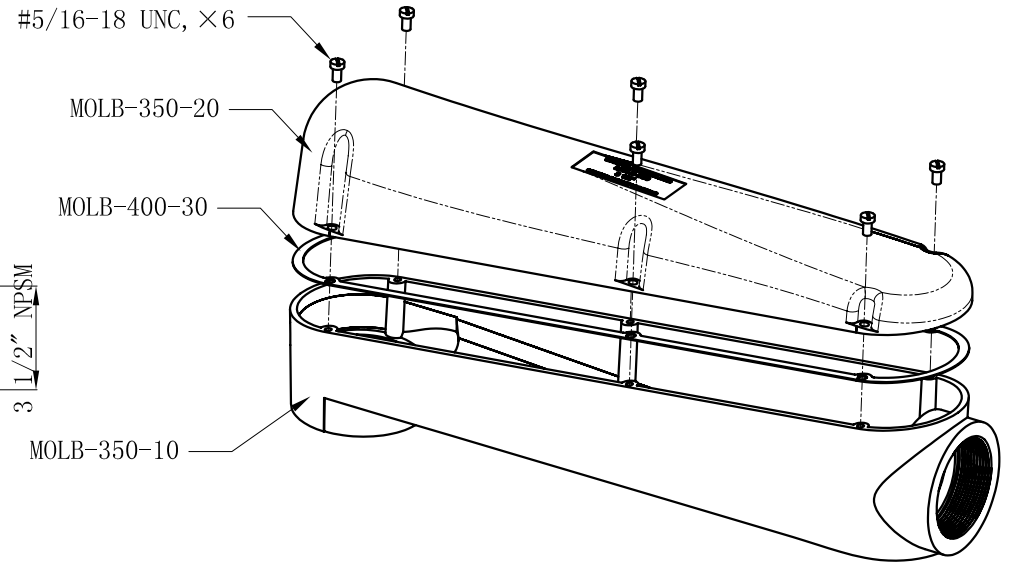
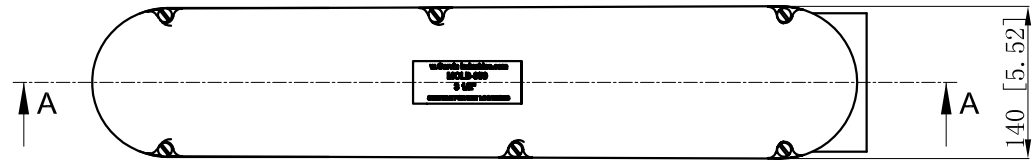


SIDES	BOTTOM
6 PCS 5/16-18×9/16 Screws Installed	
Material: Aluminum Powder Coating Silver Grey	



AWAY VIEW A-A



This data sheet is for reference only .GARVIN INDUSTRIES reserves the right to make changes to the design without prior notice.

DESCRIPTION
TRADE REFERENCE TERMS

STANDARD PACKING
1 PCS

GARVIN INDUSTRIES		
TITLE MOGUL LB GONDUIT BODY		
SIZE A4	DWG NO. MOLB-350	REV
DATA SHEET		