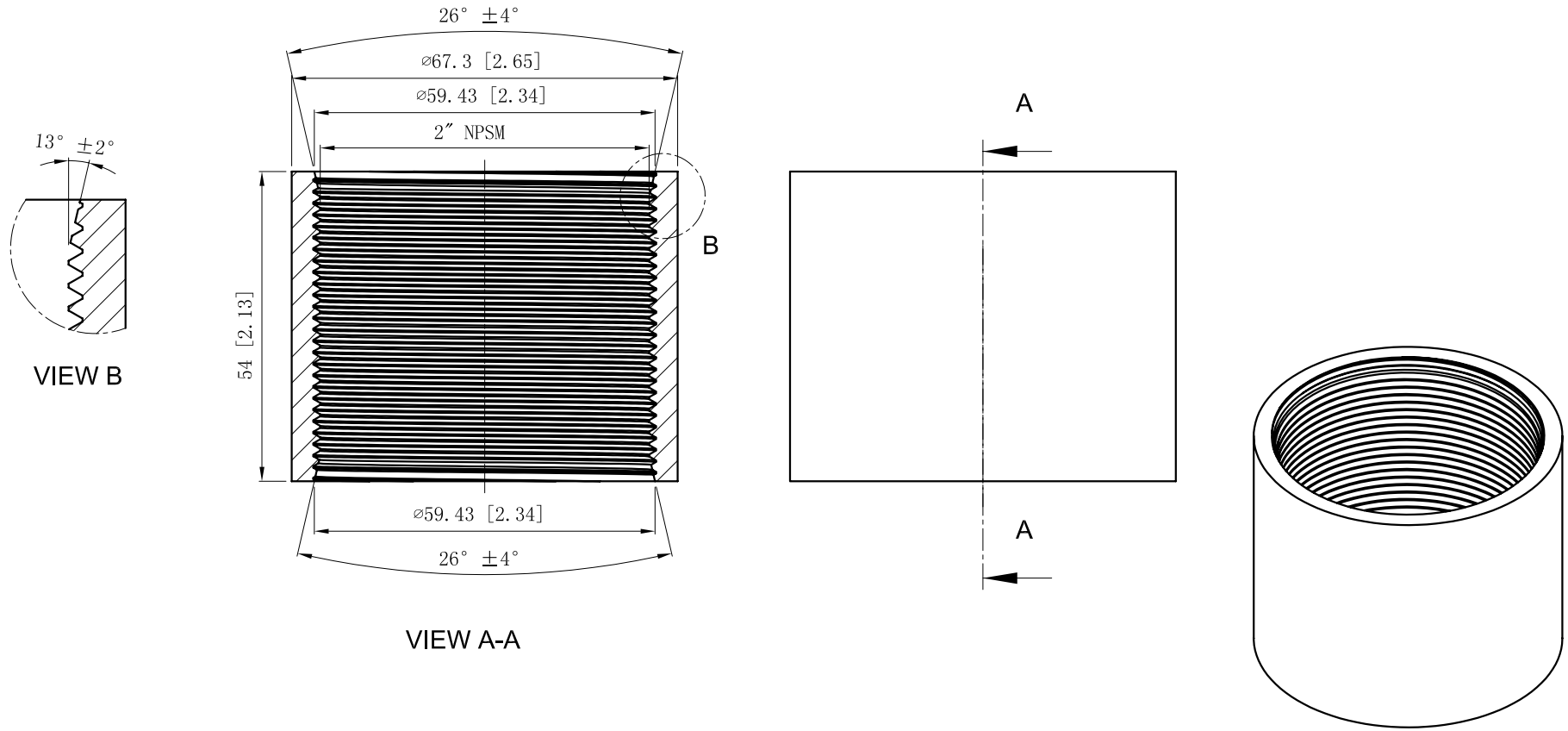


SIDES	BOTTOM
Material: Steel-(C1008-C1018) Zinc Plated	



This data sheet is for reference only .GARVIN INDUSTRIES reserves the right to make changes to the design without prior notice.

DESCRIPTION
TRADE REFERENCE TERMS

STANDARD PACKING
25/50 PCS

GARVIN INDUSTRIES		
TITLE THREADED RIGID COUPLING		
SIZE A4	DWG NO. RC-200	REV
DATA SHEET		