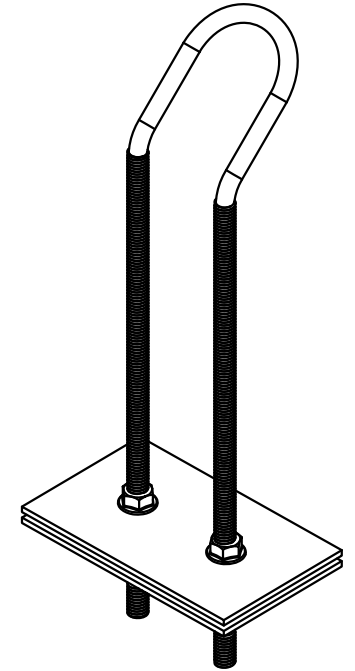
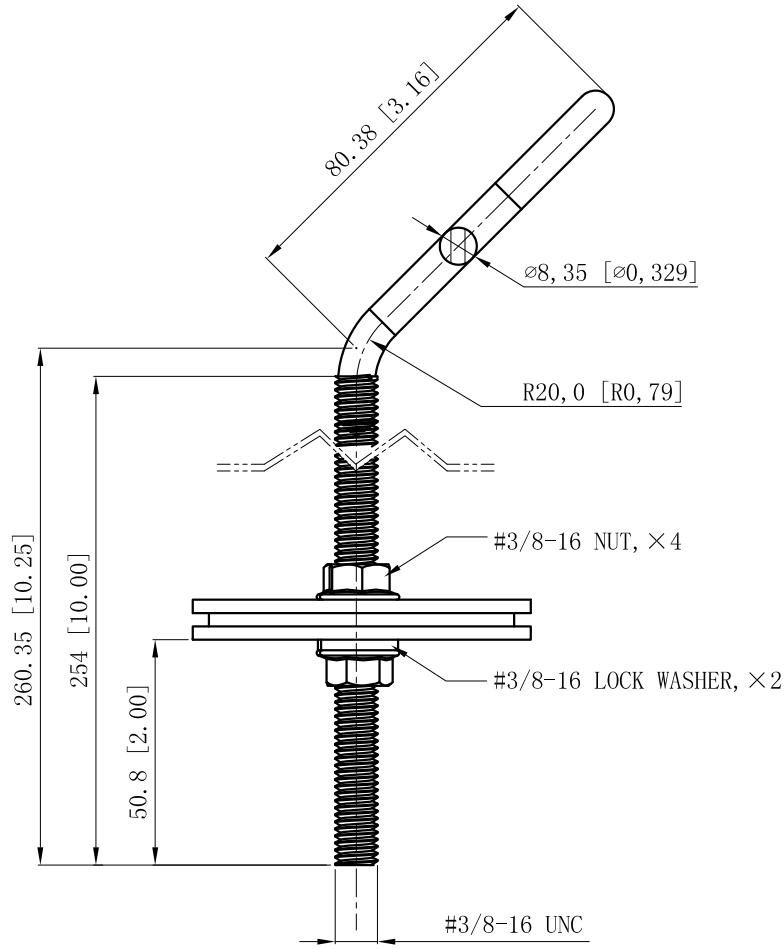
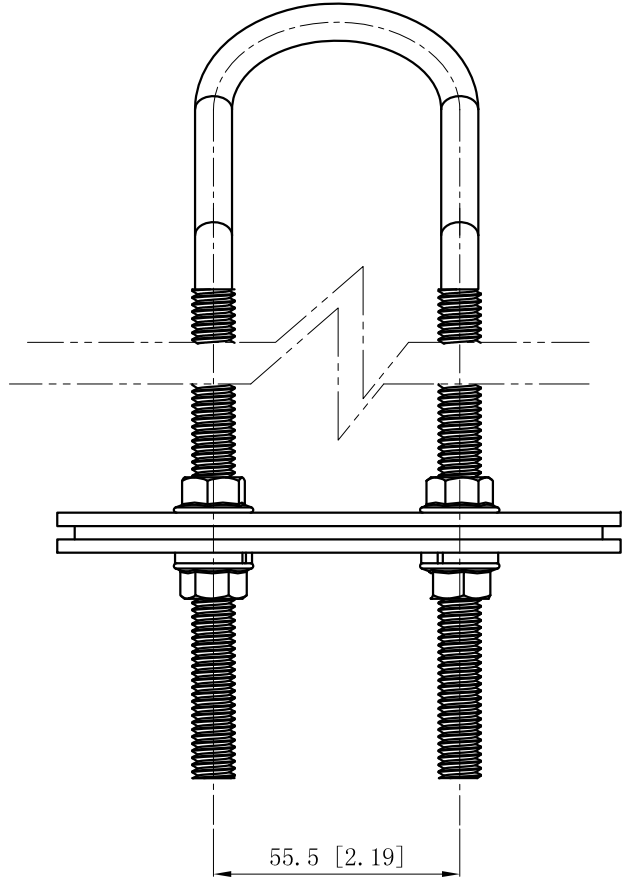


| | |
|--|--------|
| SIDES | BOTTOM |
| | |
| | |
| | |
| 4 PCS 3/8-16 Nuts Installed | |
| 2 PCS 3/8-16 Washer Installed | |
| Material:Steel- ϕ 0.0329"-C1008~C1018 Zinc Plated | |



This data sheet is for reference only .GARVIN INDUSTRIES reserves the right to make changes to the design without prior notice.

| |
|-----------------------|
| DESCRIPTION |
| |
| |
| |
| TRADE REFERENCE TERMS |
| |

| |
|------------------|
| STANDARD PACKING |
| 10 PCS |

| | | |
|---|--------------------|-----|
| GARVIN INDUSTRIES | | |
| TITLE UTILITY DROPWIRE MOUNTING BARCKETS | | |
| SIZE A4 | DWG NO. RFT-100 | REV |
| DATA SHEET | | |