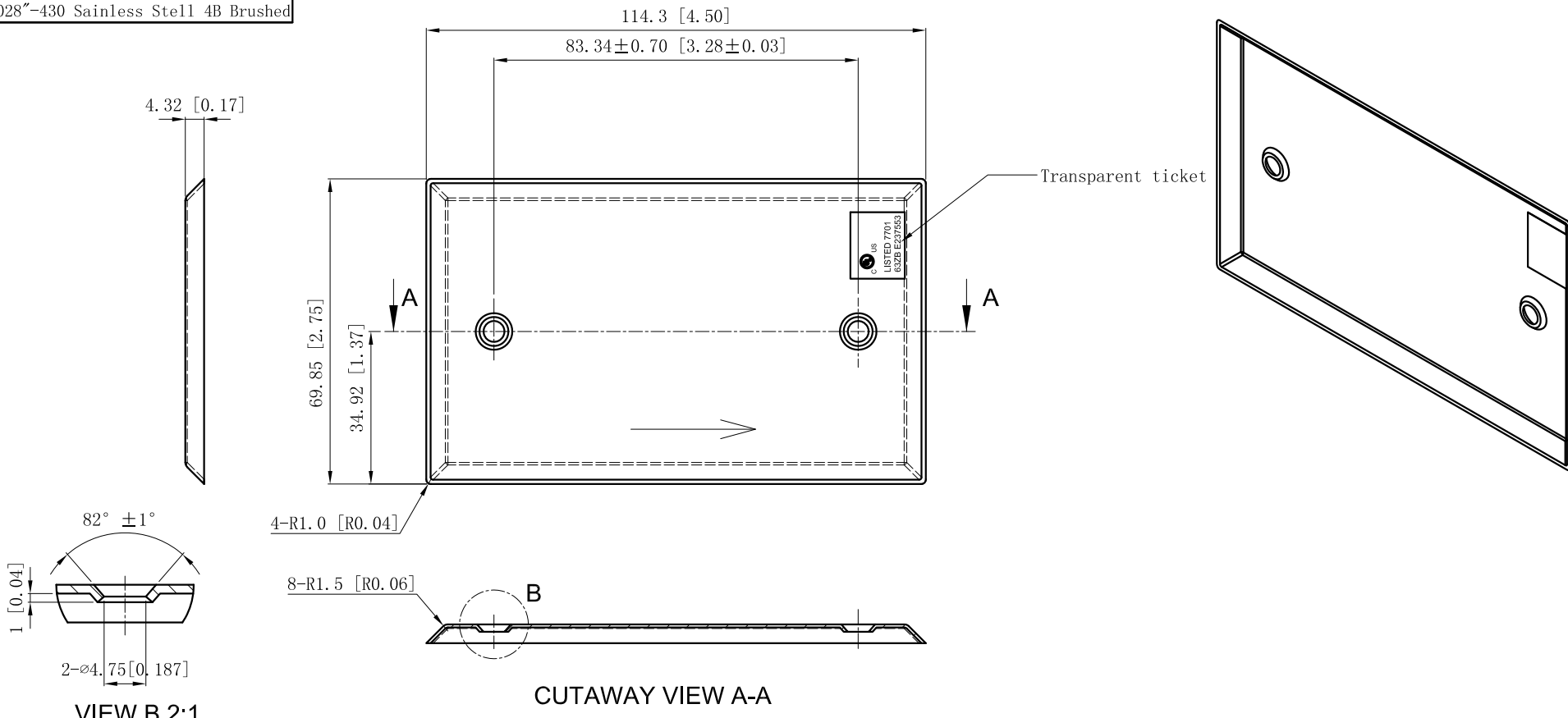


SIDES	BOTTOM
2 Pcs #6-32×1/2 In Poly-Bag Separately	
Material:Steel-0.028"-430 Sainless Stell 4B Brushed	



DESCRIPTION
TRADE REFERENCE TERMS

This data sheet is for reference only .GARVIN INDUSTRIES reserves the right to make changes to the design without prior notice.

STANDARD PACKING	<h1 style="text-align: center;">GARVIN INDUSTRIES</h1>		
25/200 PCS			
	TITLE	STAINLESS STEEL WALL PLATES	
	SIZE	DWG NO.	REV
	A4		SS1B
	DATA SHEET		