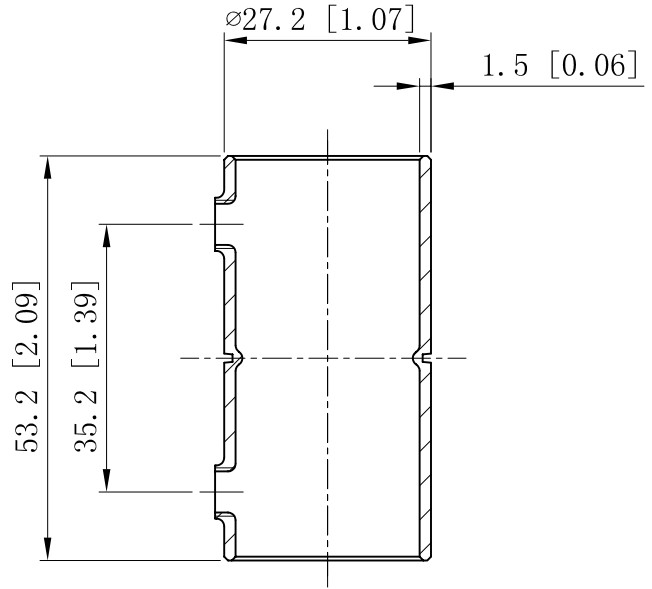
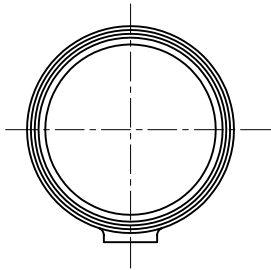
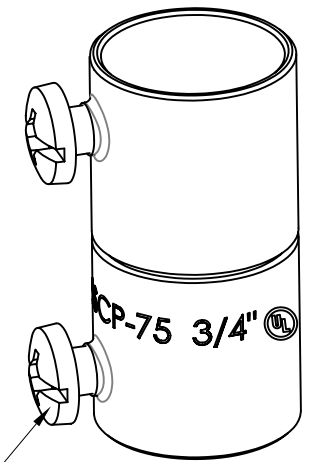
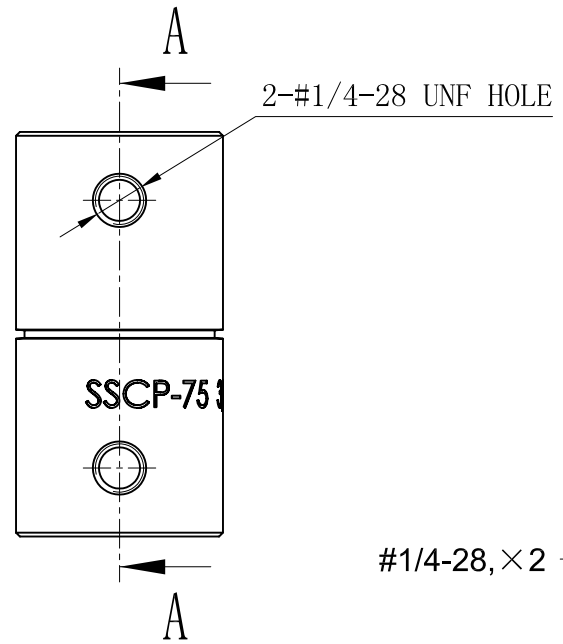


SIDES	BOTTOM
2 PCS #1/4-28×3/8 Screws Installed	
Material:Steel-Welding tube, zinc plated	



CUTAWAY VIEW A-A



#1/4-28, ×2

DESCRIPTION
TRADE REFERENCE TERMS

This data sheet is for reference only .GARVIN INDUSTRIES reserves the right to make changes to the design without prior notice.

STANDARD PACKING
50 PCS

<b>GARVIN INDUSTRIES</b>		
TITLE STEEL EMT SET SCREW COUPLINGS		
SIZE A4	DWG NO. SSCP-75	REV
DATA SHEET		