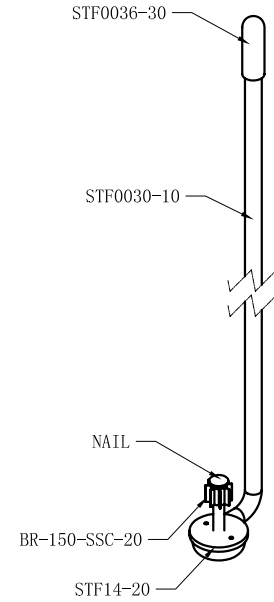
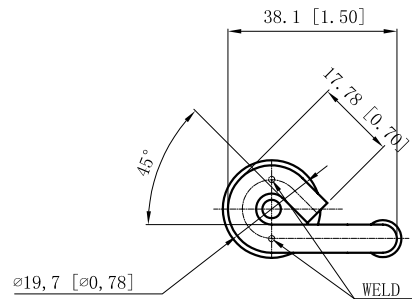
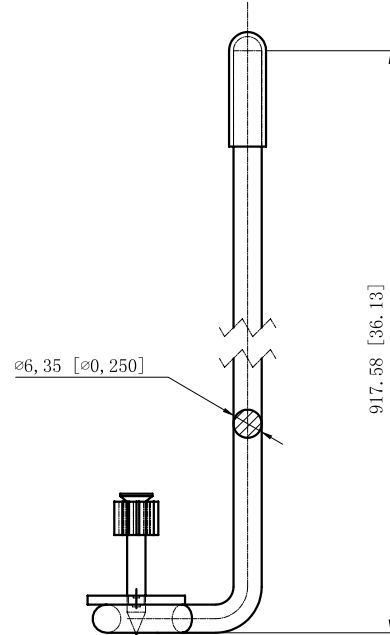
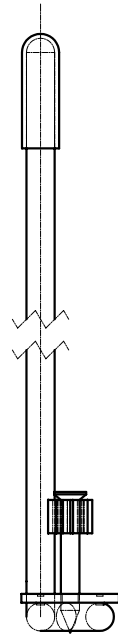


SIDES	BOTTOM
1 PCS Nail: $\phi 3.8$ [$\phi 0.15$], long: 31.75 [1.25]	
Material: Steel-(C1008-C1018) Galvanized	



This data sheet is for reference only .GARVIN INDUSTRIES reserves the right to make changes to the design without prior notice.

DESCRIPTION
TRADE REFERENCE TERMS

STANDARD PACKING
50 PCS

<h1>GARVIN INDUSTRIES</h1>		
TITLE STIFFIE 1/4, SMOOTH VERSION, NO THREAD OR COUPLING, 36IN LENGTH		
SIZE A4	DWG NO. STF0030	REV
DATA SHEET		