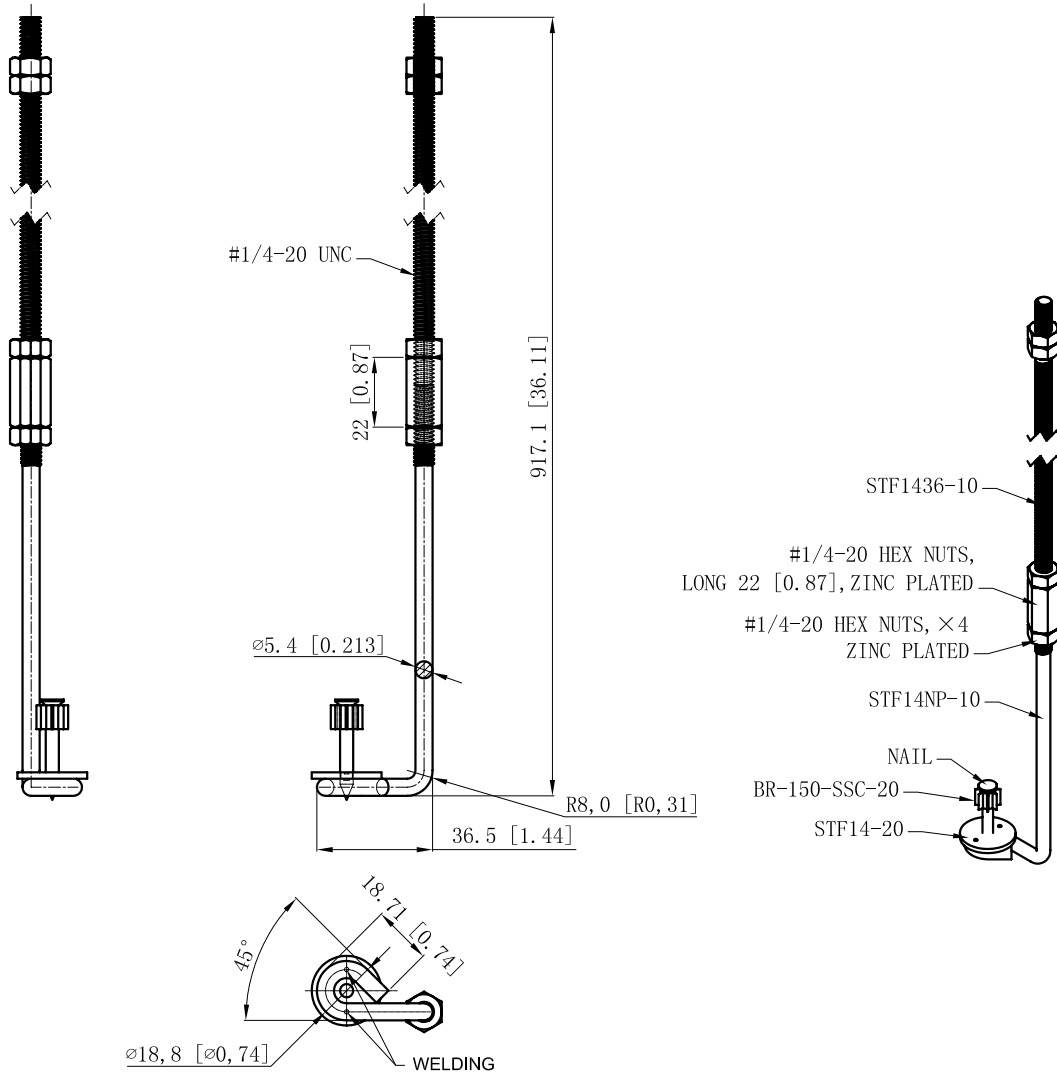


SIDES	BOTTOM
4 PCS 1/4-20 NUTS	
1 PCS 1/4-20 NUTS LONG 22 [0.87]	
1 PCS Nail: $\phi 3.8$ [$\phi 0.15$], long: 31.75 [1.25]	
Material: Steel-(C1008-C1018) Galvanized	



This data sheet is for reference only .GARVIN INDUSTRIES reserves the right to make changes to the design without prior notice.

DESCRIPTION
TRADE REFERENCE TERMS

STANDARD PACKING
50 PCS

GARVIN INDUSTRIES		
TITLE STIFFIE 1/4, THREADED, 36IN LENGTH		
SIZE A4	DWG NO. STF1436	REV
DATA SHEET		