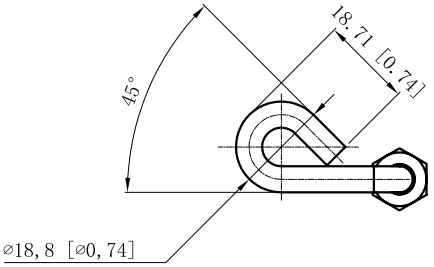
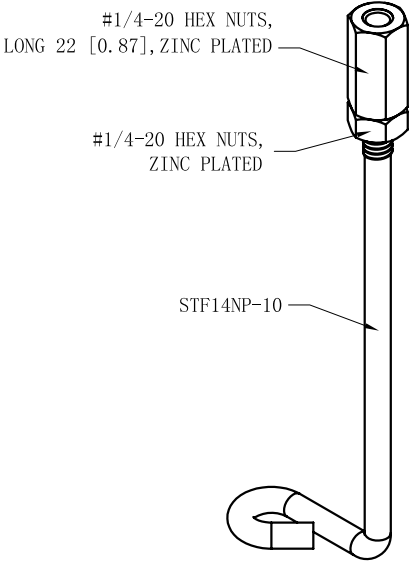
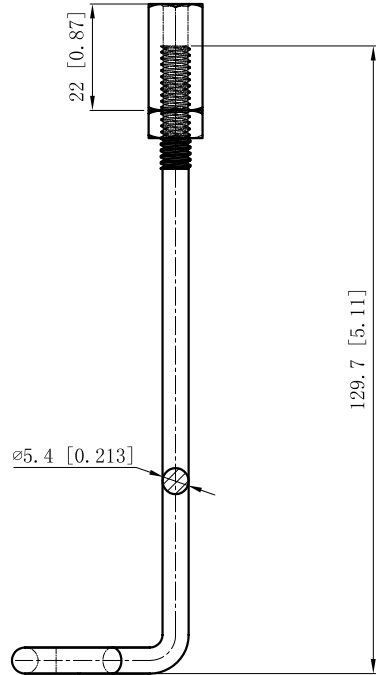
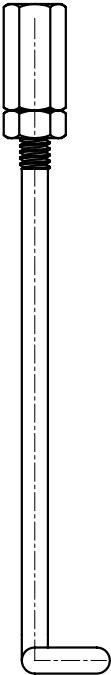


SIDES	BOTTOM
1 PCS 1/4-20 HEX NUTS	
1 PCS 1/4-20 HEX NUTS LONG 22 [0.87]	
Material:Steel-(C1008-C1018) Galvanized	



This data sheet is for reference only .GARVIN INDUSTRIES reserves the right to make changes to the design without prior notice.

DESCRIPTION
TRADE REFERENCE TERMS

STANDARD PACKING
50 PCS

GARVIN INDUSTRIES		
TITLE STIFFIE 1/4, TOP PORTION ONLY U NO PIN OR WASHER		
SIZE A4	DWG NO. STF14NP	REV
DATA SHEET		