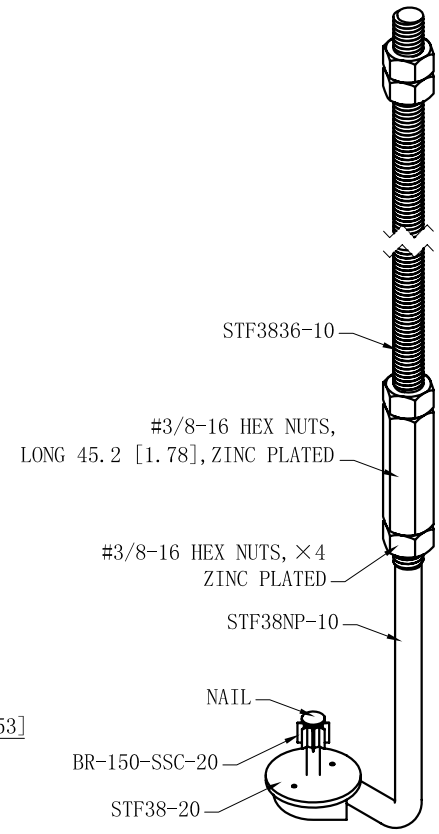
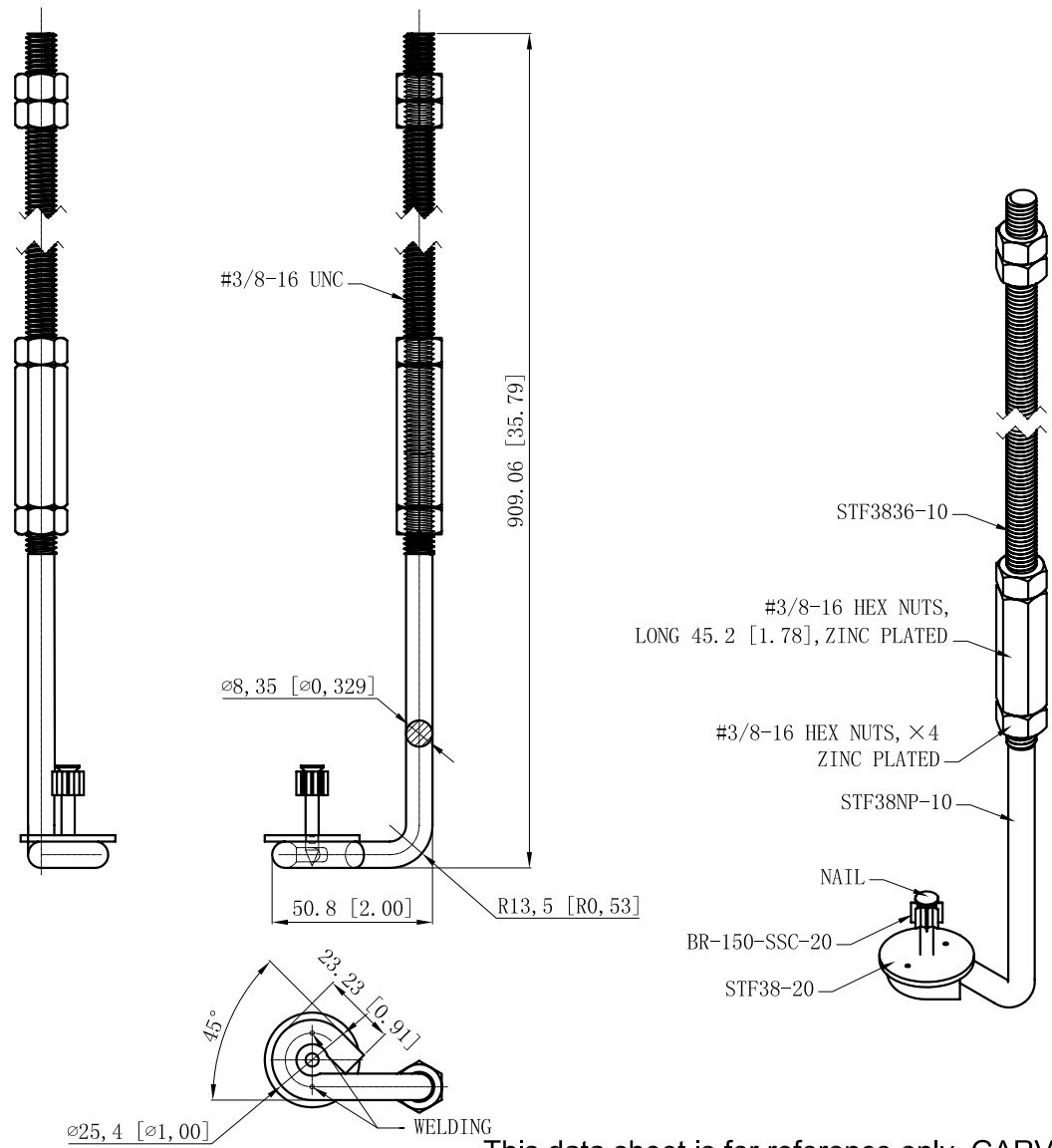


SIDES	BOTTOM
4 PCS 3/8-16 NUTS	
1 PCS 3/8-16 NUTS LONG 45.2 [1.78]	
1 PCS Nail: $\phi 3.8$ [ $\phi 0.15$ ], long: 31.75 [1.25]	
Material: Steel-(C1008-C1018) Galvanized	



This data sheet is for reference only .GARVIN INDUSTRIES reserves the right to make changes to the design without prior notice.

DESCRIPTION
TRADE REFERENCE TERMS

STANDARD PACKING
25 PCS

TITLE			REV
STIFFIE 3/8, THREADED, 36IN LENGTH			
SIZE	DWG NO.	STF3836	
A4		DATA SHEET	

# GARVIN INDUSTRIES