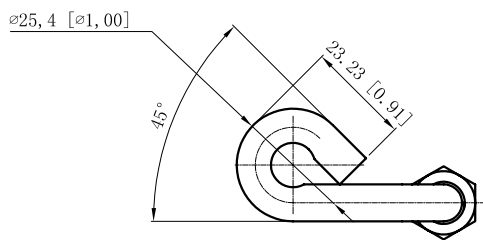
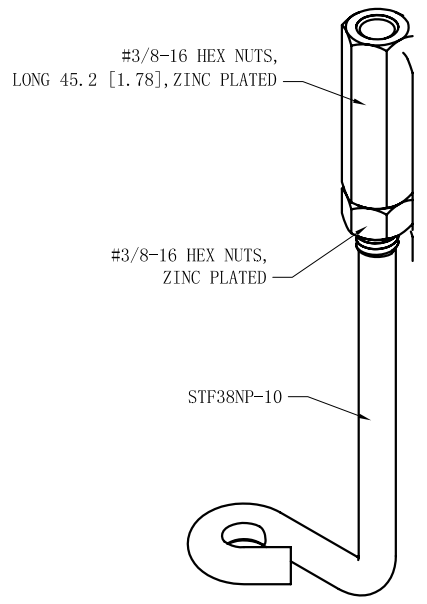
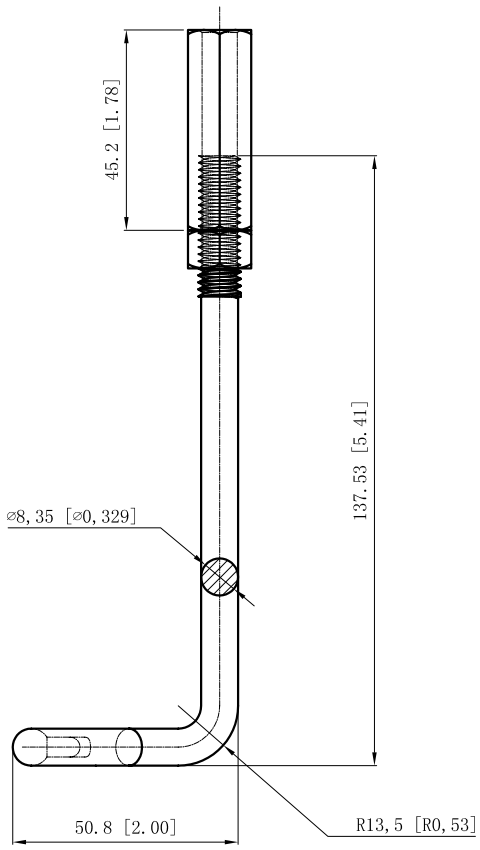
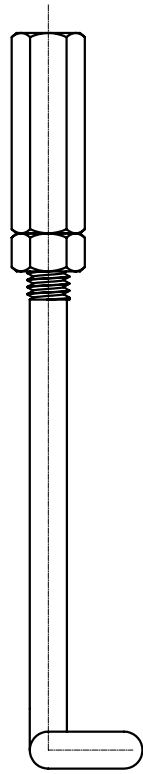


SIDES	BOTTOM
1 PCS 3/8-16 NUTS	
1 PCS 3/8-16 NUTS LONG 45.2 [1.78]	
Material:Steel-(C1008-C1018) Galvanized	



This data sheet is for reference only .GARVIN INDUSTRIES reserves the right to make changes to the design without prior notice.

DESCRIPTION
TRADE REFERENCE TERMS

STANDARD PACKING
25 PCS

<b>GARVIN INDUSTRIES</b>		
TITLE STIFFIE 3/8, TOP PORTION ONLY, DOWN TO COUPLING AND WASHER		
SIZE A4	DWG NO. STF38NP	REV
DATA SHEET		