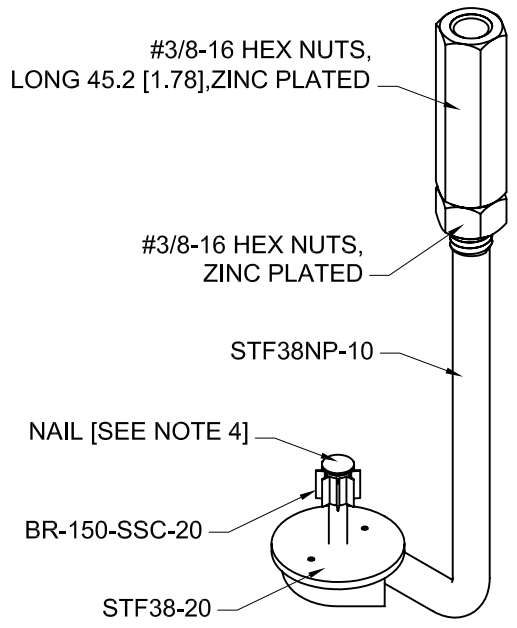
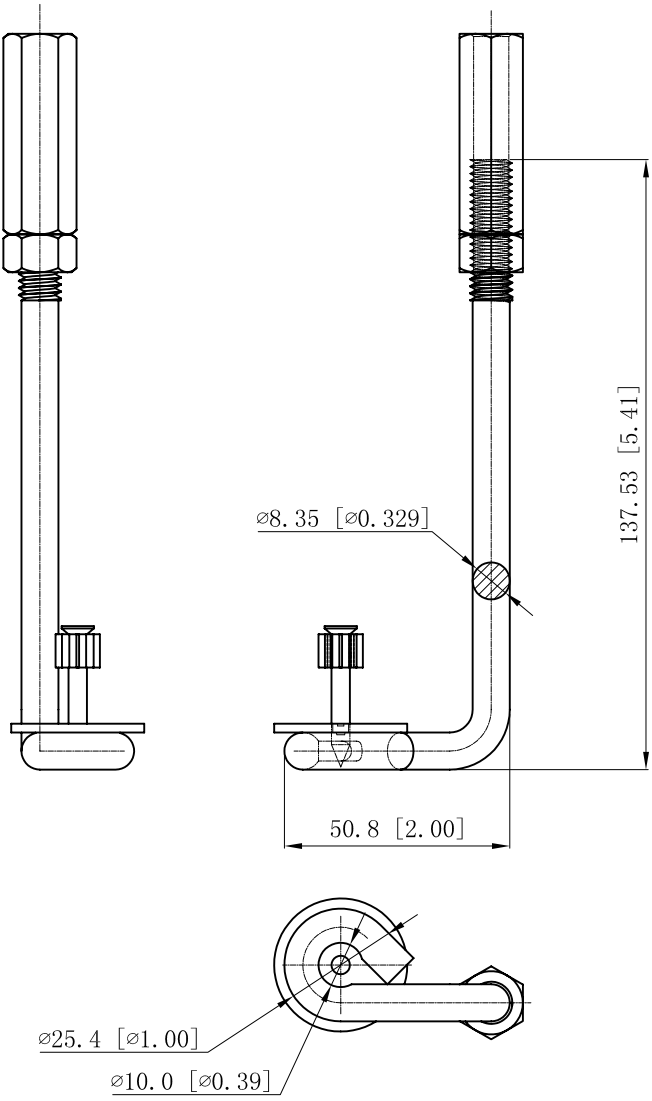


SIDES	BOTTOM
1 PCS #3/8-16 NUTS	
1 PCS #3/8-16 NUTS LONG 45.2 [1.78]	
1 PCS Nail: $\phi 3.8$ [$\phi 0.15$], long: 31.75 [1.25]	
Material: Steel-(C1008-C1018) Galvanized	



This data sheet is for reference only .GARVIN INDUSTRIES reserves the right to make changes to the design without prior notice.

DESCRIPTION
TRADE REFERENCE TERMS

STANDARD PACKING
50 PCS

<h1>GARVIN INDUSTRIES</h1>		
TITLE STIFFIE 3/8, TOP PORTION ONLY, DOWN TO COUPLING AND WASHER		
SIZE A4	DWG NO. STF38	REV
DATA SHEET		