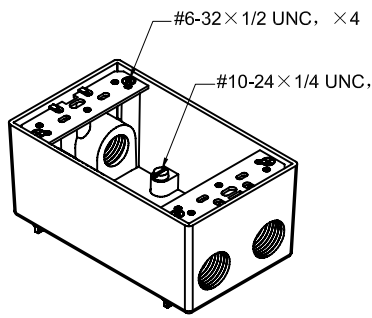
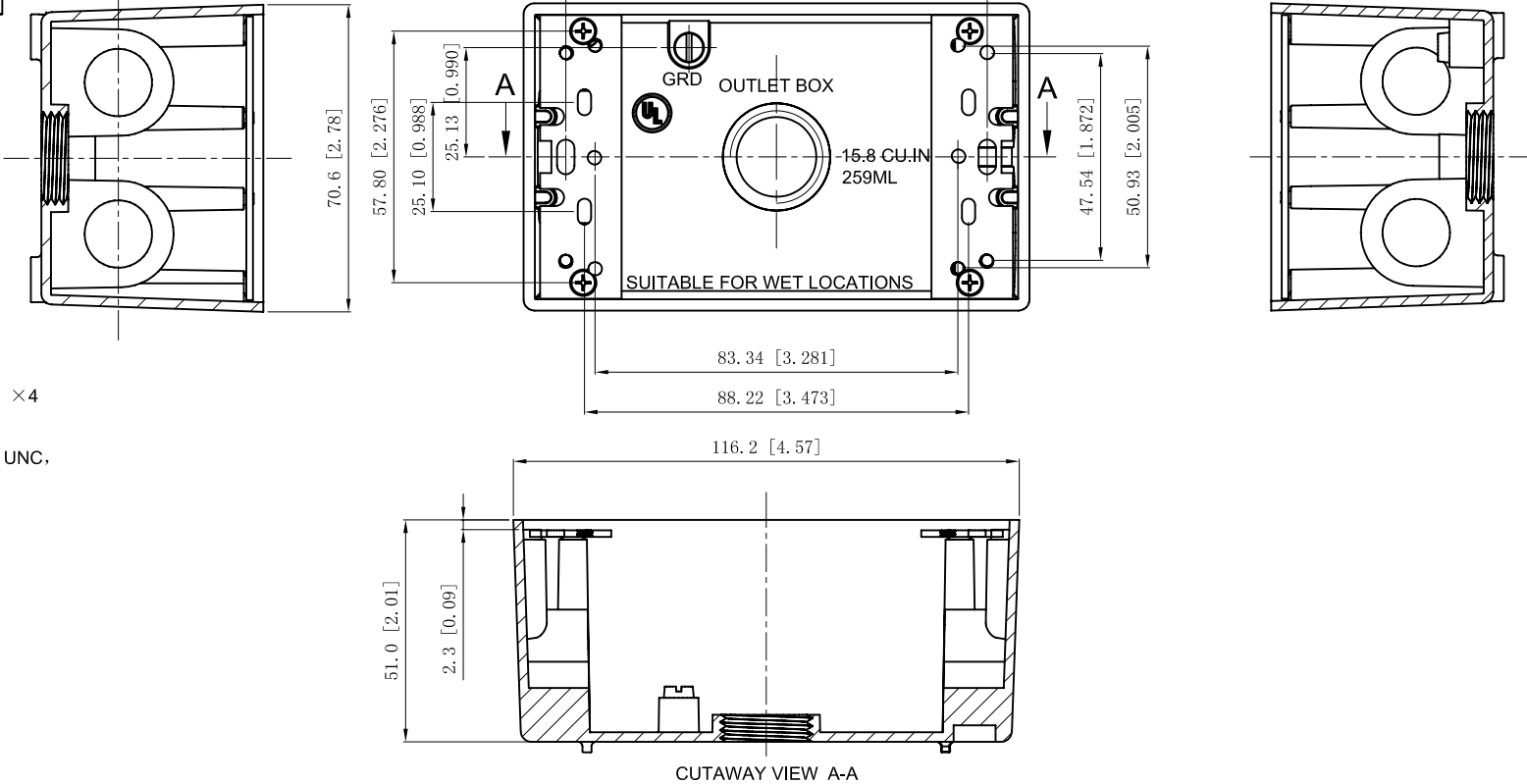


SIDES	BOTTOM
4 1/2" NPT	1/2" NPT
4 PCS 6-32×1/2 Screws Installed	
1 PCS 10-24×1/4 Screws Installed	
1 PCS 6-18×1/4 Screws Pack In Poly-bag seperately	
2 PCS WPCP50 Pack In Poly-bag seperately	
2 PCS WP-2754-20 Pack In Poly-bag seperately	
Material:ALUMINUM Powder Coating Gray	



This data sheet is for reference only .GARVIN INDUSTRIES reserves the right to make changes to the design without prior notice.

DESCRIPTION
TRADE REFERENCE TERMS

STANDARD PACKING	<h1 style="text-align: center;">GARVIN INDUSTRIES</h1> <h2 style="text-align: center;">1-GANG WEATHERPROOF BOXES</h2>		
20/40 PCS			
TITLE	SIZE	DWG NO.	REV
	A4	WP2505	A
DATA SHEET			