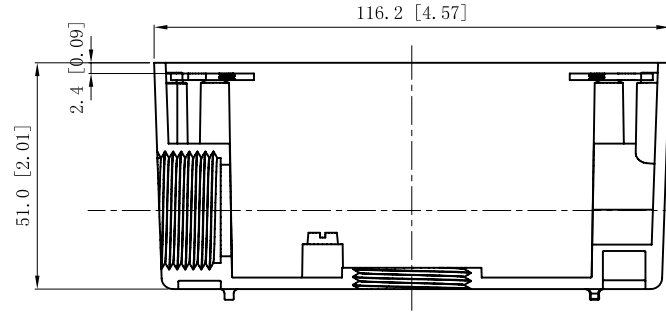
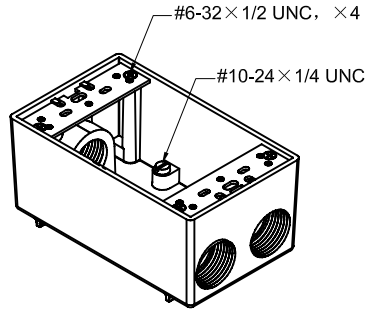
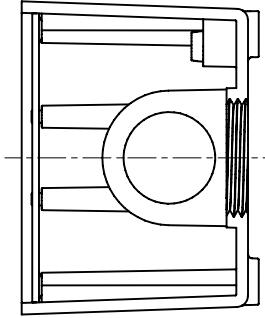
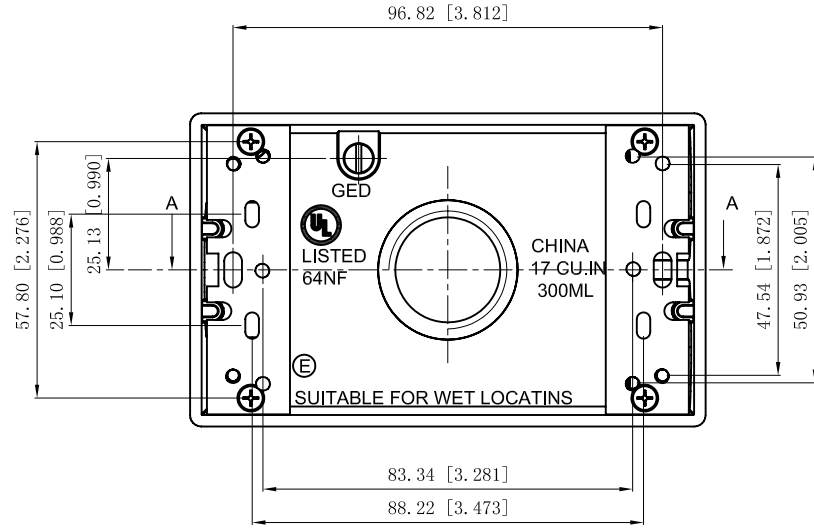
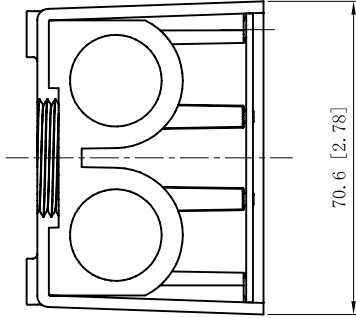


SIDES	BOTTOM
3 3/4" NPT	3/4" NPT
4 PCS 6-32×1/2 Screws Installed	
1 PCS 10-24×1/4 Screws Installed	
1 PCS 6-18×1/4 Screws Pack In Poly-bag seperately	
2 PCS WPCP75 Pack In Poly-bag seperately	
2 PCS WP-2754-20 Pack In Poly-bag seperately	
Material:ALUMINUM Powder Coating Gray	



CUTAWAY VIEW A-A

This data sheet is for reference only .GARVIN INDUSTRIES reserves the right to make changes to the design without prior notice.

DESCRIPTION
TRADE REFERENCE TERMS

STANDARD PACKING	<h1 style="text-align: center;">GARVIN INDUSTRIES</h1> <h2 style="text-align: center;">1-GANG WEATHERPROOF BOXES</h2>		
20/40 PCS			
	TITLE	DWG NO.	REV
	A4	WP2754	A
	DATA SHEET		