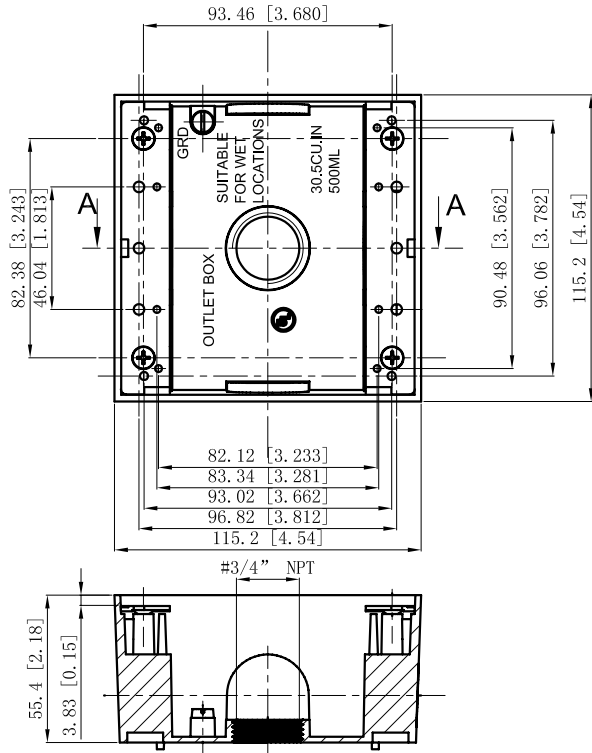
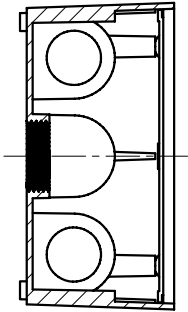
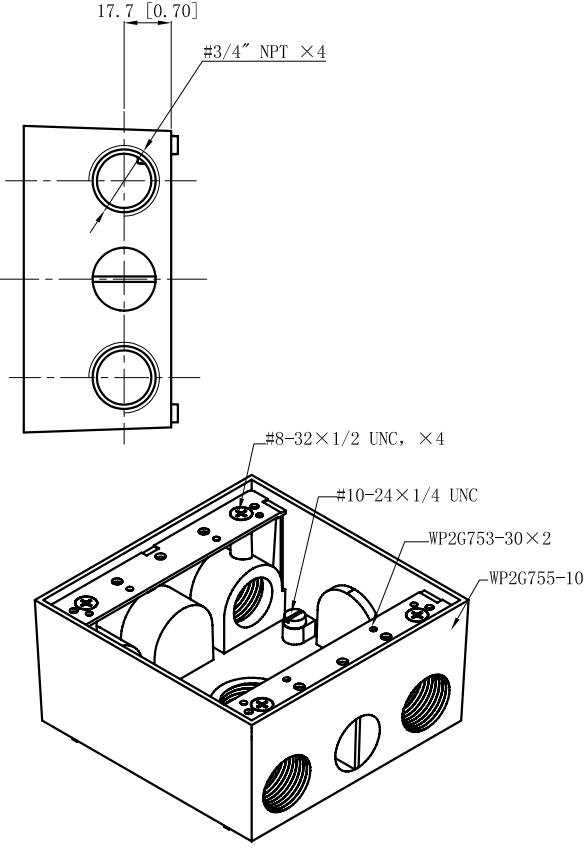


SIDES	BOTTOM
4 3/4" NPT	3/4" NPT
4 PCS 8-32×1/2 Screws Installed	
1 PCS 10-24×1/4 Screws Installed	
1 PCS 6-18×1/4 Screws Pack In Poly-bag seperately	
2 PCS WPCP50 Pack In Poly-bag seperately	
2 PCS WP-2754-20 Pack In Poly-bag seperately	
Material:ALUMINUM Powder Coating Gray	



CUTAWAY VIEW A-A



DESCRIPTION
TRADE REFERENCE TERMS

STANDARD PACKING
12/24 PCS

This data sheet is for reference only .GARVIN INDUSTRIES reserves the right to make changes to the design without prior notice.

GARVIN INDUSTRIES		
2-GANG WEATHERPROOF BOXES		
TITLE		
SIZE	DWG NO.	REV
A4	WP2G755	
DATA SHEET		