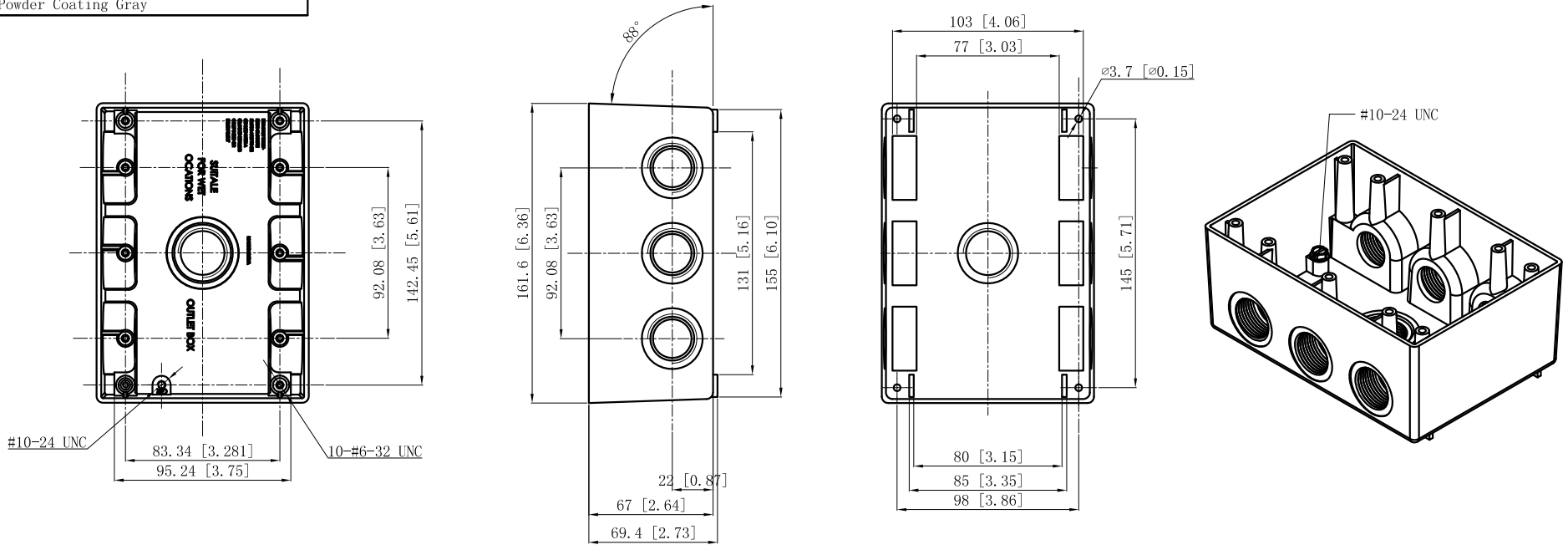


SIDES	BOTTOM
6 3/4" NPT	3/4" NPT
1 PCS 10-24×1/4 Screws Installed	
2 PCS 7-19×3/8 Screws Pack In Poly-bag separately	
2 PCS WPCP75 Pack In Poly-bag separately	
2 PCS WP-2754-20 Pack In Poly-bag separately	
Material:ALUMINUM Powder Coating Gray	



DESCRIPTION
TRADE REFERENCE TERMS

This data sheet is for reference only .GARVIN INDUSTRIES reserves the right to make changes to the design without prior notice.

STANDARD PACKING	GARVIN INDUSTRIES		
12/24 PCS	TITLE 3-GANG WEATHERPROOF BOXES		
	SIZE A4	DWG NO. WP3G757	REV
	DATA SHEET		