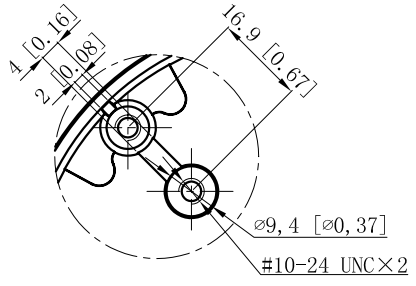
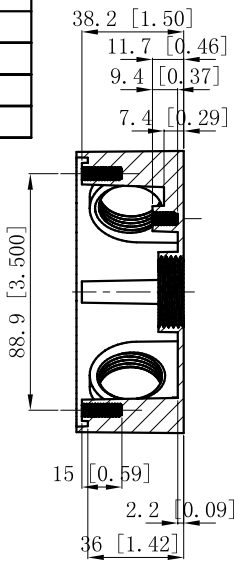


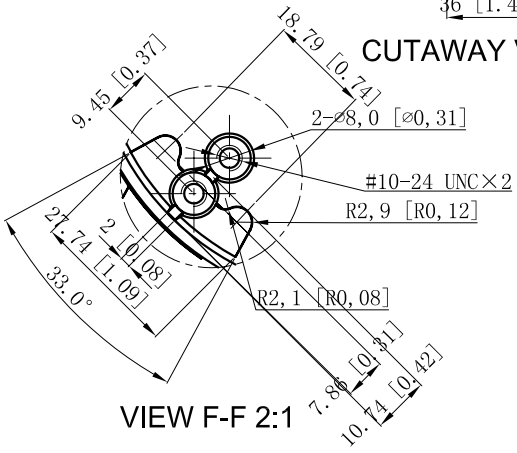
<b>SIDES</b>	<b>BOTTOM</b>
4 3/4" NPT	3/4" NPT
1 PCS 10-24x1/4 Screws Installed	
2 PCS WPCP75 Pack In Poly-bag separately	
Material:ALUMINUM Powder Coating Gray	



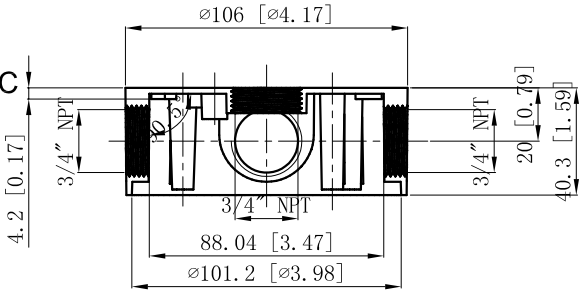
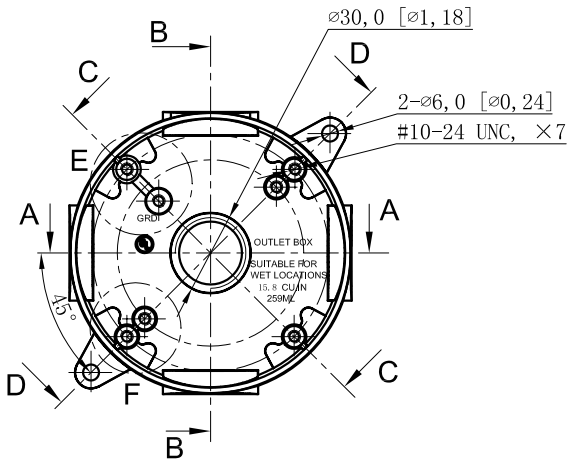
VIEW E-E 2:1



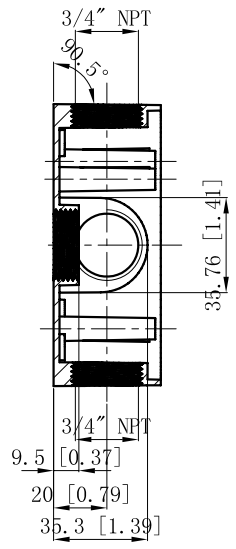
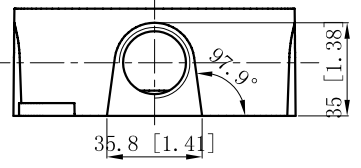
CUTAWAY VIEW C-C



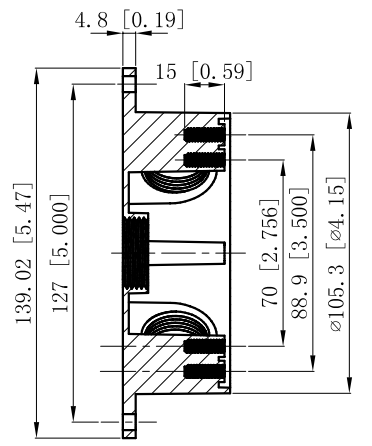
VIEW F-F 2:1



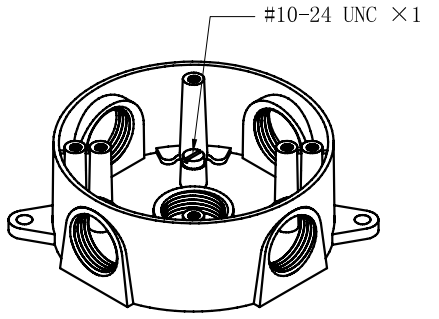
CUTAWAY VIEW A-A



CUTAWAY VIEW B-B



CUTAWAY VIEW D-D



<b>DESCRIPTION</b>
<b>TRADE REFERENCE TERMS</b>

This data sheet is for reference only .GARVIN INDUSTRIES reserves the right to make changes to the design without prior notice.

<b>STANDARD PACKING</b>	<b>GARVIN INDUSTRIES</b>		
	4"ROUND WEATHERPROOF BOXES		
20/40 PCS	<b>TITLE</b>		
	<b>SIZE</b>	<b>DWG NO.</b>	<b>REV</b>
	A4	WPR755	
DATA SHEET			